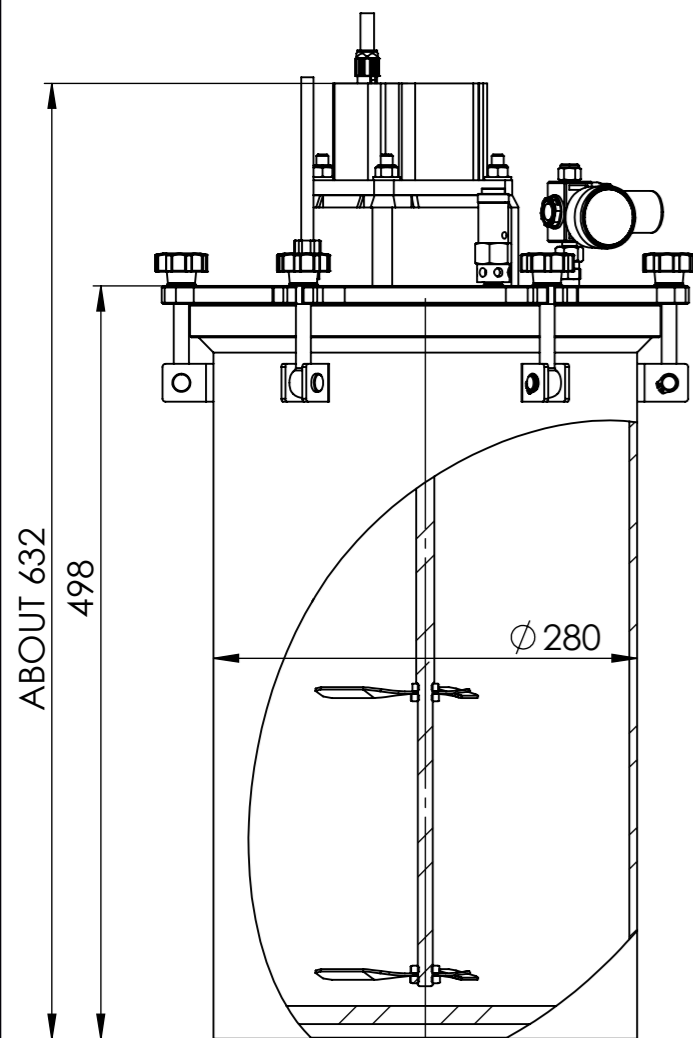


NOTE :

1. DIMENSIONS ARE IN mm
2. MATERIALS :
tank, cover and dip tube : stainless steel 303/304 (316 OPTION)
output fittings : polypropylene
oring : Viton
3. MAXIMUM PRESSURE : 100 PSI (7 bar)
4. CAPACITY WITHOUT LINER : 25 LITRE
5. INSIDE DIMENSIONS : \varnothing 270mm x 462mm DEEP
6. DRY WEIGHT :
7. DIMENSIONS ARE FOR REFERENCE ONLY
8. ALSO SUPPLIED :



ELECTRIC MOTOR 300W
MONOPHASE 200-240V

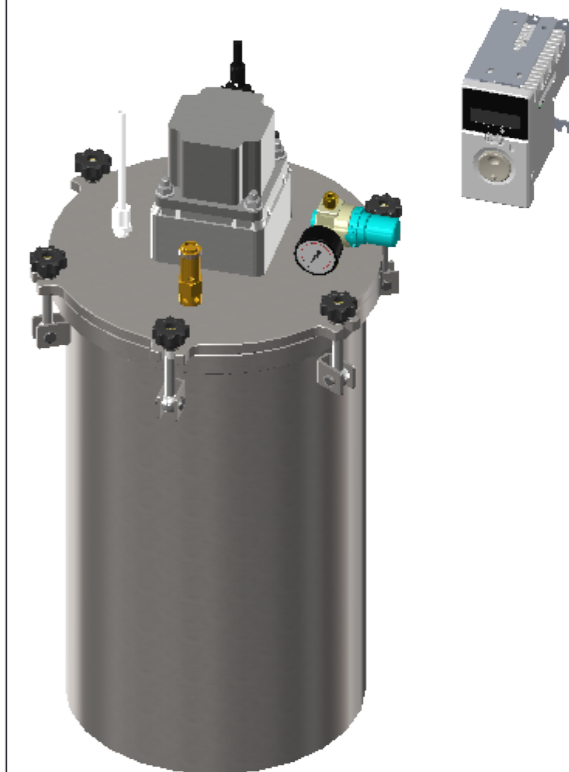
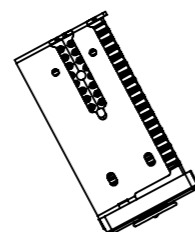
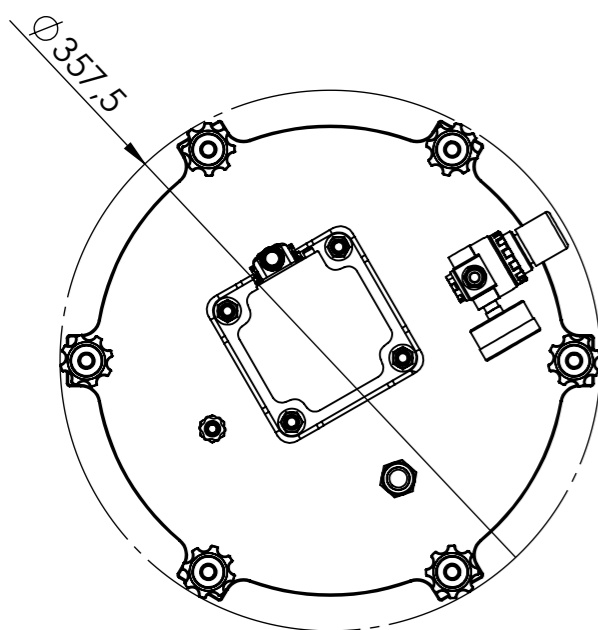
MOTOR CONTROLER
AND ITS SUPPORT
(VARIOUS OPTIONS)

FLUID TUBING

AIR SAFETY RELIEF VALVE

AIR PRESSURE REGULATOR
and GAUGE

O-RING



REVISION	INITIALS	DATE	MODIFICATIONS
A	NR	24.03.17	INITIAL ISSUE
B	NR	30.11.17	SWING BOLTS
C	NR	28.11.18	DIP TUBE REMOVED DIP TUBE IS NOW A SEPARATE VERSION
D	NR	29.09.20	UPDATE OF VARIOUS ELEMENTS

This document must not be copied without our written permission, and the contents thereof must not be imparted to a third party nor be used for any unauthorised purpose. Contravention will be prosecuted.

GENERAL TOLERANCE
Unless otherwise stated
Linear: 0.0 +/- 0.25
Angular: 0.0 +/- 1°
Surface Roughness: Ra1.6

NAME		DATE	ISO STANDARD FOR Thread class external 6g internal 6H Geometric Tolerances
DRAWN	NICOLAS REYNIER	24.03.2017	
APPV'D	SIMON KAYE		

SR-TEK MATERIAL: STAINLESS STEEL
FINISH: BRUSHED

DO NOT SCALE DRAWING

BREAK SHARP EDGES WITH CHAMFER 0.3x45° WEIGHT: g

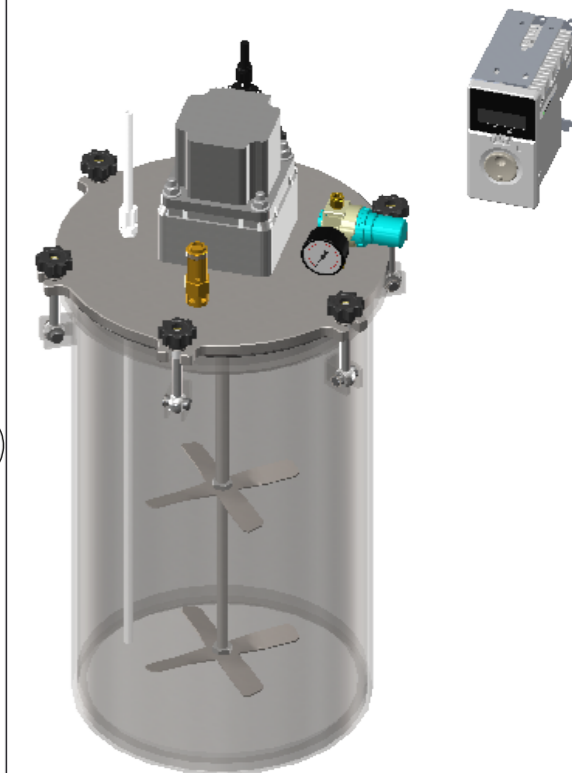
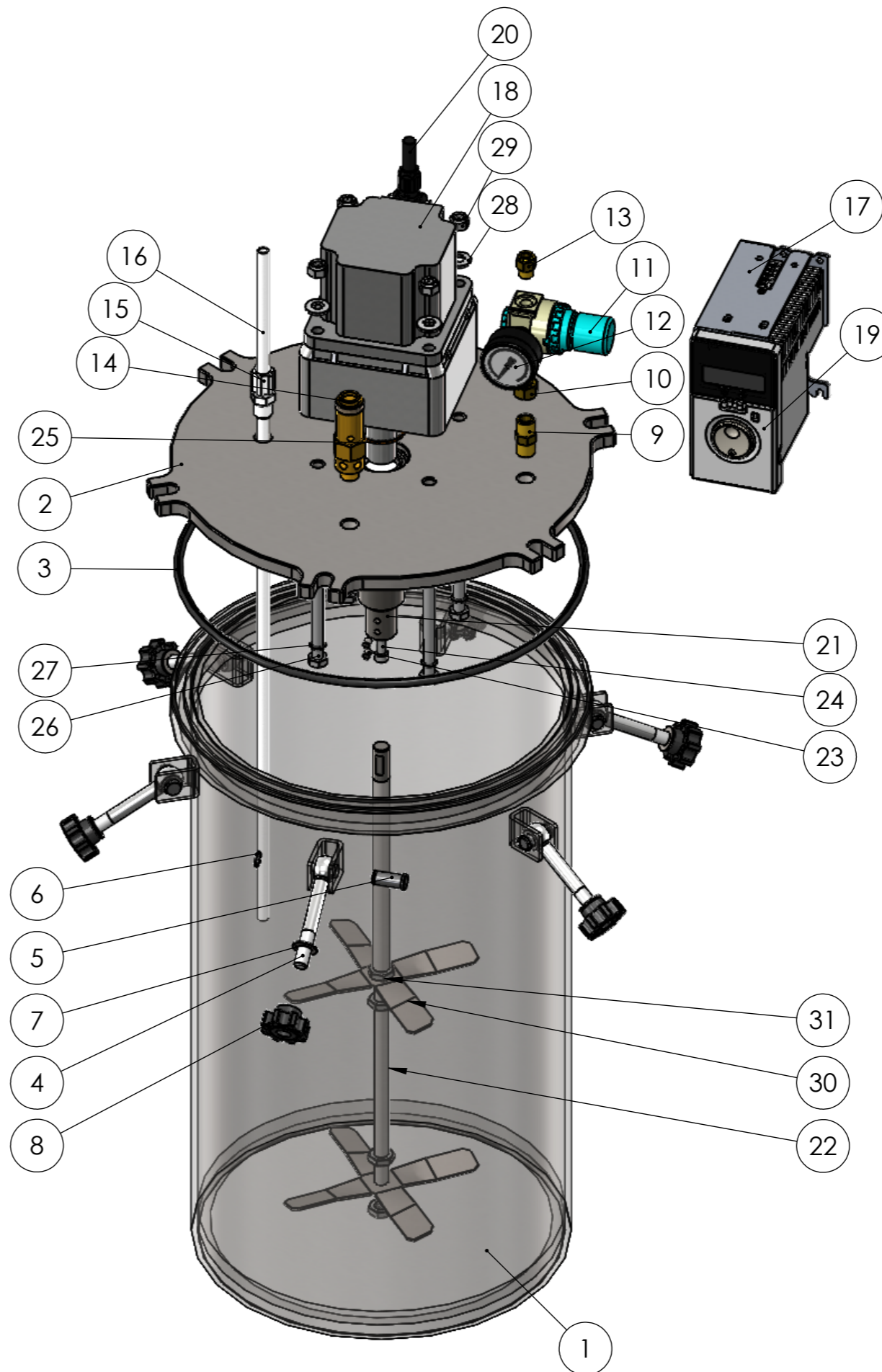
TITLE:
25L RESERVOIR ASSY WITH ELECTRIC MOTOR

DWG NO. **2500CL-STEL** Revision D A3

SCALE: 1:5 IF IN DOUBT ASK SHEET 1 OF 2

VARIOUS OPTIONS ARE AVAILABLE FOR CONTROLER MOUNTING, INCLUDING WATER RESISTANT.

#	PART NUMBER	DESCRIPTION	QTY
1	2511B	25L RESERVOIR BODY	1
2	2510L-EL	25L RESERVOIR LID WITH DIP TUBE	1
3	OR-6-293	O-RING 293mm ID x 6mm	1
4	BM10x75SSSWING	SWING BOLT M10	6
5	1015	DOWEL PIN	6
6	HCIRCLIPEXT10	CIRCLIP EXTERNAL D10	6
7	WM10-19SS	WASHER M10	6
8	NM10PLSTAR	EIGHT LOBED KNOB M10 PLASTIC BRASS	6
9	HNIPPLE0.25	NIPPLE NPT 1/4"	1
10	HADAPTERF.25-M.125	1/8 MALE 1/4 FEMALE BSP NIPPLE ADAPTER	1
11	HREGULATORAIR100	PRESSURE REGULATOR 0-100 PSI	1
12	AN-100-G	PRESSURE GAUGE 0-100PSI	1
13	HADAPTER0.125-6	STRAIGHT ADAPTOR G1/8 x 6mm	1
14	100-SV	SAFETY VALVE 0.25 100 PSI	1
15	FIT-0.25-COMP-8	COMPRESSION ADAPTER 1/NPT 1/4OD	1
16	8PE-WH-25L	FLUID TUBING 6mm WHITE	1
17	2530	MOTOR CONTROLER SUPPORT	1
18	2531	ELECTRIC MOTOR 300W	1
19	2532	ELECTRIC MOTOR CONTROLER	1
20	2533	ELECTRIC CABLE CONTROLER-MOTOR	1
21	2534	COUPLING FOR ELECTRIC MIXER SHAFT	1
22	2541	MIXING SHAFT	1
23	BM5x8SSGRUB	GRUB SCREW M5 STAINLESS	2
24	BM6x18SSCAP	CAP HEAD BOLT M6x1.0x18 STAINLESS STEEL	1
25	OR-32	O-RING 26x2.0 VITON	1
26	BM8x100SSHEX	HEX BOLT M8x1.25 x100	4
27	W8.7SSBONDED	BONDED SEAL 8.7	4
28	WM4SSSPRING	BELLEVILLE SPRING LOCK WASHER M8	4
29	NM8SSLOCK	LOCK NUT M8x1.25	4
30	25L-15010-DOUBLE	MIXING DOUBLE BLADE	2
31	NM10SSTHIN	NUT STAINLESS STEEL M10 THIN	4



REVISION	INITIALS	DATE	MODIFICATIONS
A	NR	24.03.17	INITIAL ISSUE
B	NR	30.11.17	SWING BOLTS
C	NR	28.11.18	DIP TUBE REMOVED DIP TUBE IS NOW A SEPARATE VERSION
D	NR	29.09.20	VARIOUS ELEMENTS UPDATED

This document must not be copied without our written permission, and the contents thereof must not be imparted to a third party nor be used for any unauthorised purpose. Contravention will be prosecuted.		GENERAL TOLERANCE Unless otherwise stated Linear: 0.0 +/- 0.25 Angular: 0.0 +/- 1° Surface Roughness: Ra1.6
		ISO STANDARD FOR Thread class external 6g internal 6H Geometric Tolerances
DRAWN	NICOLAS REYNIER	24.03.2017
APP'VD	SIMON KAYE	

SR-TEK	MATERIAL: STAINLESS STEEL FINISH: BRUSHED
---------------	--

DO NOT SCALE DRAWING	WEIGHT: g
----------------------	------------------

TITLE:	25L RESERVOIR ASSEMBLY WITH ELECTRIC MOTOR
--------	---

DWG NO.	2500CL-STEL	A3
	Revision D	
SCALE: 1:3	IF IN DOUBT ASK	SHEET 2 OF 2

VARIOUS OPTIONS ARE AVAILABLE FOR CONTROLER MOUNTING, INCLUDING WATER RESISTANT.