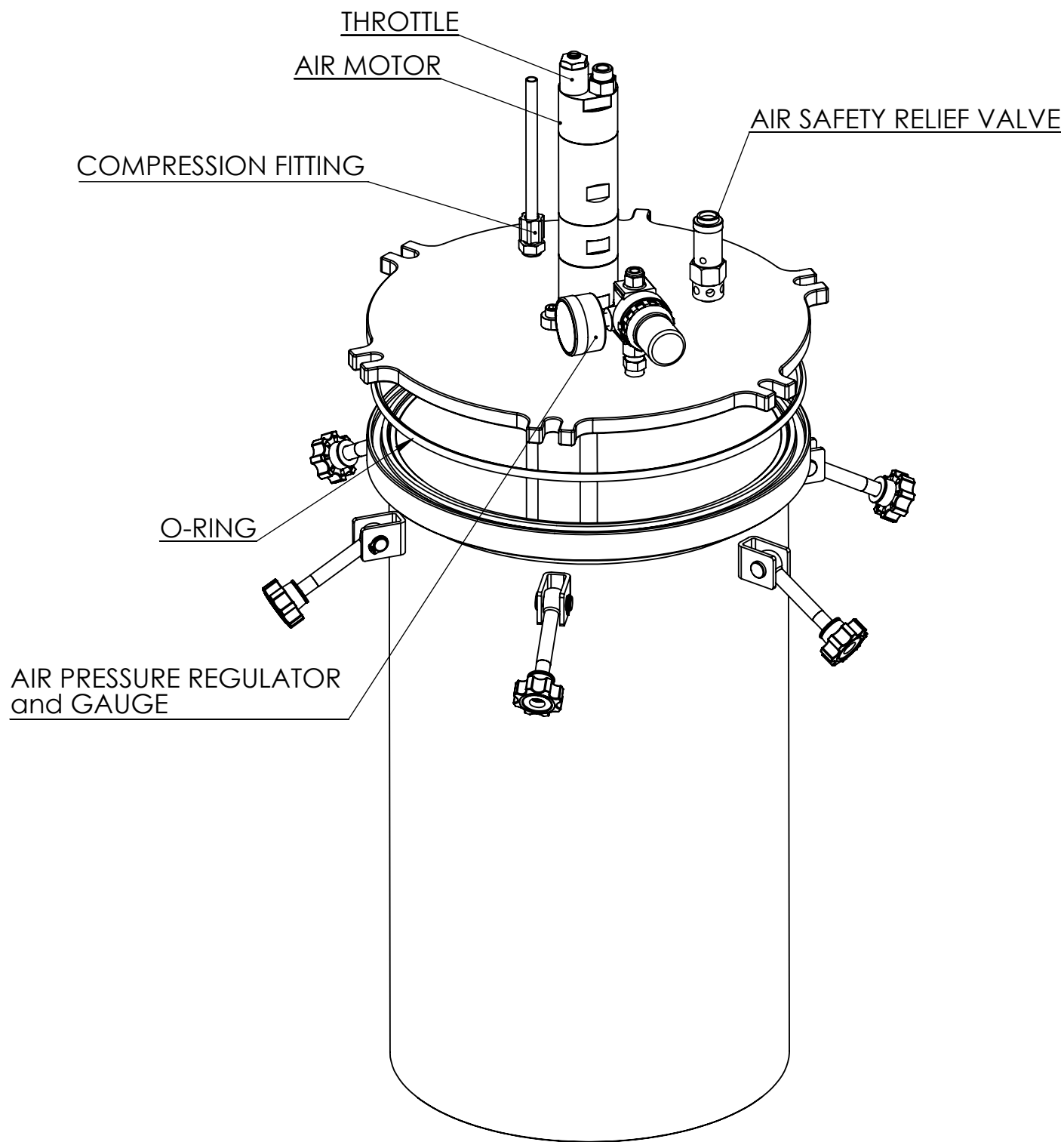


NOTE :

1. DIMENSIONS ARE IN mm
2. MATERIALS :
 tank, cover and dip tube : stainless steel 303/304 (316 OPTION)
 output fittings : polypropylene
 oring : Viton
3. MAXIMUM PRESSURE : 100 PSI (6.9 bar)
4. CAPACITY WITHOUT LINER : 25 LITRE
5. INSIDE DIMENSIONS : \varnothing 270mm x 462mm DEEP
6. DRY WEIGHT :
7. DIMENSIONS ARE FOR REFERENCE ONLY
8. ALSO SUPPLIED :



REVISION	INITIALS	DATE	MODIFICATIONS
A	NR	21.01.17	INITIAL ISSUE
B	NR	29.11.17	SWING BOLTS
C	NR	28.11.18	DIP TUBE REMOVED
D	NR	23.04.20	UPDATE OF VARIOUS ELEMENTS

This document must not be copied without our written permission, and the contents thereof must not be imparted to a third party nor be used for any unauthorised purpose. Contravention will be prosecuted.		GENERAL TOLERANCE Unless otherwise stated Linear: 0.0 +/- 0.25 Angular: 0.0 +/- 1° Surface Roughness: Ra1.6
		ISO STANDARD FOR Thread class external 6g internal 6H Geometric Tolerances
	NAME	DATE
DRAWN	NICOLAS REYNIER	21.01.2017
APPV'D	SIMON KAYE	

SR-TEK MATERIAL: STAINLESS STEEL
 FINISH: BRUSHED

DO NOT SCALE DRAWING

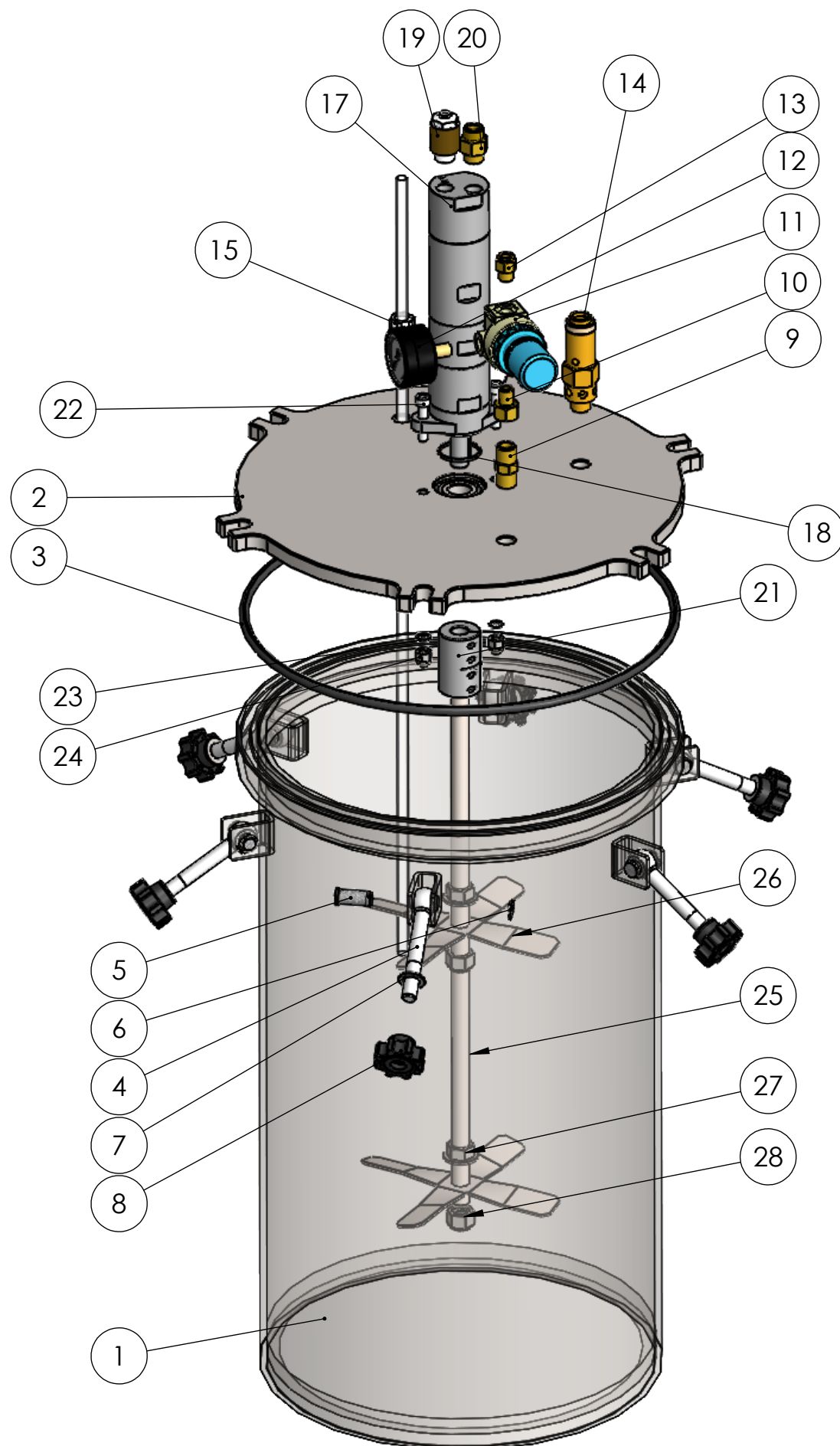
BREAK SHARP EDGES WITH CHAMFER 0.3x45° WEIGHT: g

TITLE:
25L RESERVOIR ASSY WITH AIR MOTOR

DWG NO. **2500CL-STAG Revision D** A3

SCALE: 1:4 IF IN DOUBT ASK SHEET 1 OF 2

#	PART NUMBER	DESCRIPTION	QTY
1	2511B	25L RESERVOIR BODY	1
2	2510L-AG	25L RESERVOIR LID WITH DIP TUBE	1
3	OR-6-293	O-RING 293mm ID x 6mm	1
4	BM10x75SSSWING	SWING BOLT M10	6
5	1015	DOWEL PIN	6
6	HCIRCLIPEXT10	CIRCLIP EXTERNAL D10	6
7	WM10-19SS	WASHER M10	6
8	NM10PLSTAR	EIGHT LOBED KNOB M10 PLASTIC BRASS	6
9	HNIPPLE0.25	NIPPLE NPT 1/4"	1
10	HADAPTERF.25-M.125	1/8 MALE 1/4 FEMALE BSP NIPPLE ADAPTER	1
11	HREGULATORAIR100	PRESSURE REGULATOR 0-100 PSI	1
12	AN-100-G	PRESSURE GAUGE 0-100PSI	1
13	HADAPTER0.125-6	STRAIGHT ADAPTOR G1/8 x 6mm	1
14	100-SV	SAFETY VALVE 0.25 100 PSI	1
15	FIT-0.25-COMP-8	COMPRESSION ADAPTER 1/NPT 1/4OD	1
16	8PE-CL-25L	FLUID TUBING 6mm CLEAR (not supplied)	1
17	2517-AM	AIR MOTOR 380W	1
18	OR-2-26	O-RING 26mm ID x 2mm	1
19	HAIRTH	THROTTLE FOR AIR MOTOR	1
20	HADAPTER0.25-8	STRAIGHT ADAPTOR R1/4 x 8mm	1
21	HCOUPLING1212	SHAFT COUPLER 12 12	1
22	BM6x28SSCAP	CAP HEAD BOLT M6x1.0 STAINLESS	2
23	W6.7SSBONDED	BONDED SEAL 6.7	2
24	NM6SSBLIND	CAP NUT M6x1.0	2
25	2521	MIXER SHAFT 25L	1
26	25L-15012-DOUBLE	MIXING DOUBLE BLADE	2
27	NM12SSFLANGE	FLANGE NUT M12x1.75	2
28	NM12SSLOCK	LOCKING NUT M12x1.75	2



REVISION	INITIALS	DATE	MODIFICATIONS
A	NR	21.01.17	INITIAL ISSUE
B	NR	29.11.17	SWING BOLTS
C	NR	28.11.18	DIP TUBE REMOVED
D	NR	23.04.20	UPDATE OF VARIOUS ELEMENTS

This document must not be copied without our written permission, and the contents thereof must not be imparted to a third party nor be used for any unauthorised purpose. Contravention will be prosecuted.

GENERAL TOLERANCE
Unless otherwise stated
Linear: 0.0 +/- 0.25
Angular: 0.0 +/- 1°
Surface Roughness: Ra1.6

ISO STANDARD FOR
Thread class
external 6g
internal 6H
Geometric Tolerances

	NAME	DATE
DRAWN	NICOLAS REYNIER	21.01.2017
APPV'D	SIMON KAYE	

SR-TEK MATERIAL: STAINLESS STEEL
FINISH: BRUSHED

DO NOT SCALE DRAWING
BREAK SHARP EDGES WITH CHAMFER 0.3x45° WEIGHT: g

TITLE:
25L RESERVOIR ASSEMBLY WITH AIR MOTOR

DWG NO. **2500CL-STAG** Revision D A3

SCALE: 1:3 IF IN DOUBT ASK SHEET 2 OF 2