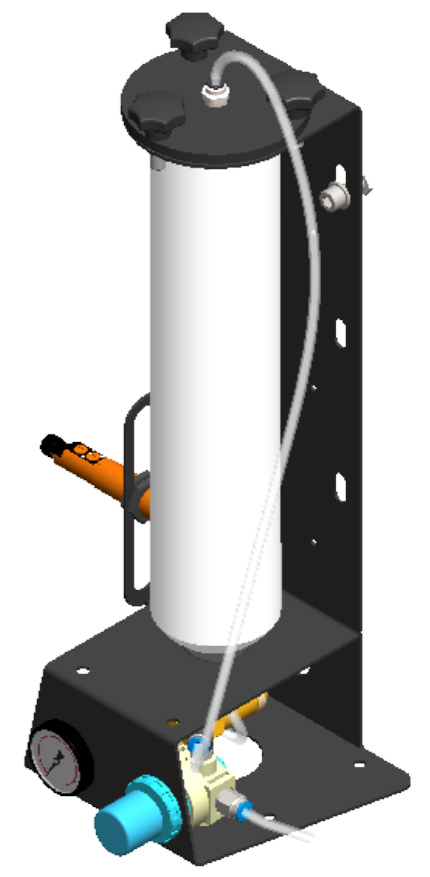


- NOTE :**
1. DIMENSIONS ARE IN mm
 2. MATERIALS :
support : powder coated steel
output fittings : polypropylene
oring : Viton
 3. MAXIMUM PRESSURE : 29.0 PSI (2.0 bar)
 4. CAPACITY WITHOUT LINER : 32 oz (0.9 LITRE)
 5. INSIDE DIMENSIONS : \varnothing 64.5mm x 342mm DEEP
 6. DRY WEIGHT :
 7. DIMENSIONS ARE FOR REFERENCE ONLY
 8. ALSO SUPPLIED : wall mounting bolts and nuts



REVISION	INITIALS	DATE	MODIFICATIONS
A	NR	28.06.20	INITIAL ISSUE

This document must not be copied without our written permission, and the contents thereof must not be imparted to a third party nor be used for any unauthorised purpose. Contravention will be prosecuted.		GENERAL TOLERANCE Unless otherwise stated Linear: 0.0 +/- 0.25 Angular: 0.0 +/- 1° Surface Roughness: Ra1.6						
<table border="1"> <thead> <tr> <th>NAME</th> <th>DATE</th> </tr> </thead> <tbody> <tr> <td>DRAWN NICOLAS REYNIER</td> <td>28.06.2020</td> </tr> <tr> <td>APPV'D SIMON KAYE</td> <td> </td> </tr> </tbody> </table>		NAME	DATE	DRAWN NICOLAS REYNIER	28.06.2020	APPV'D SIMON KAYE		ISO STANDARD FOR Thread class external 6g internal 6H Geometric Tolerances
NAME	DATE							
DRAWN NICOLAS REYNIER	28.06.2020							
APPV'D SIMON KAYE								

SR-TEK MATERIAL:
FINISH:

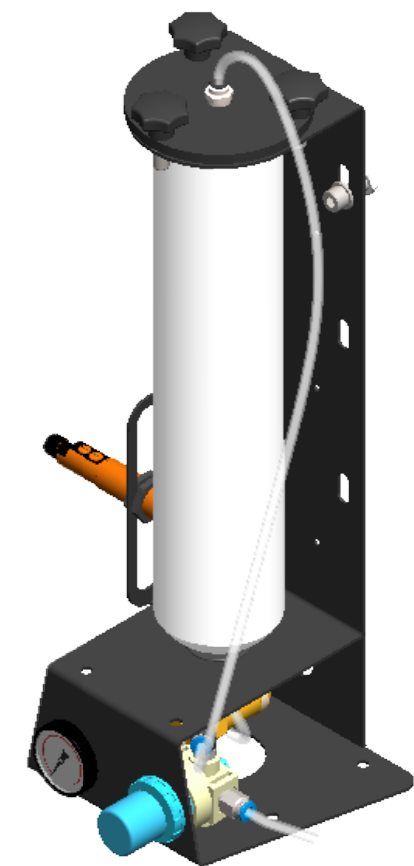
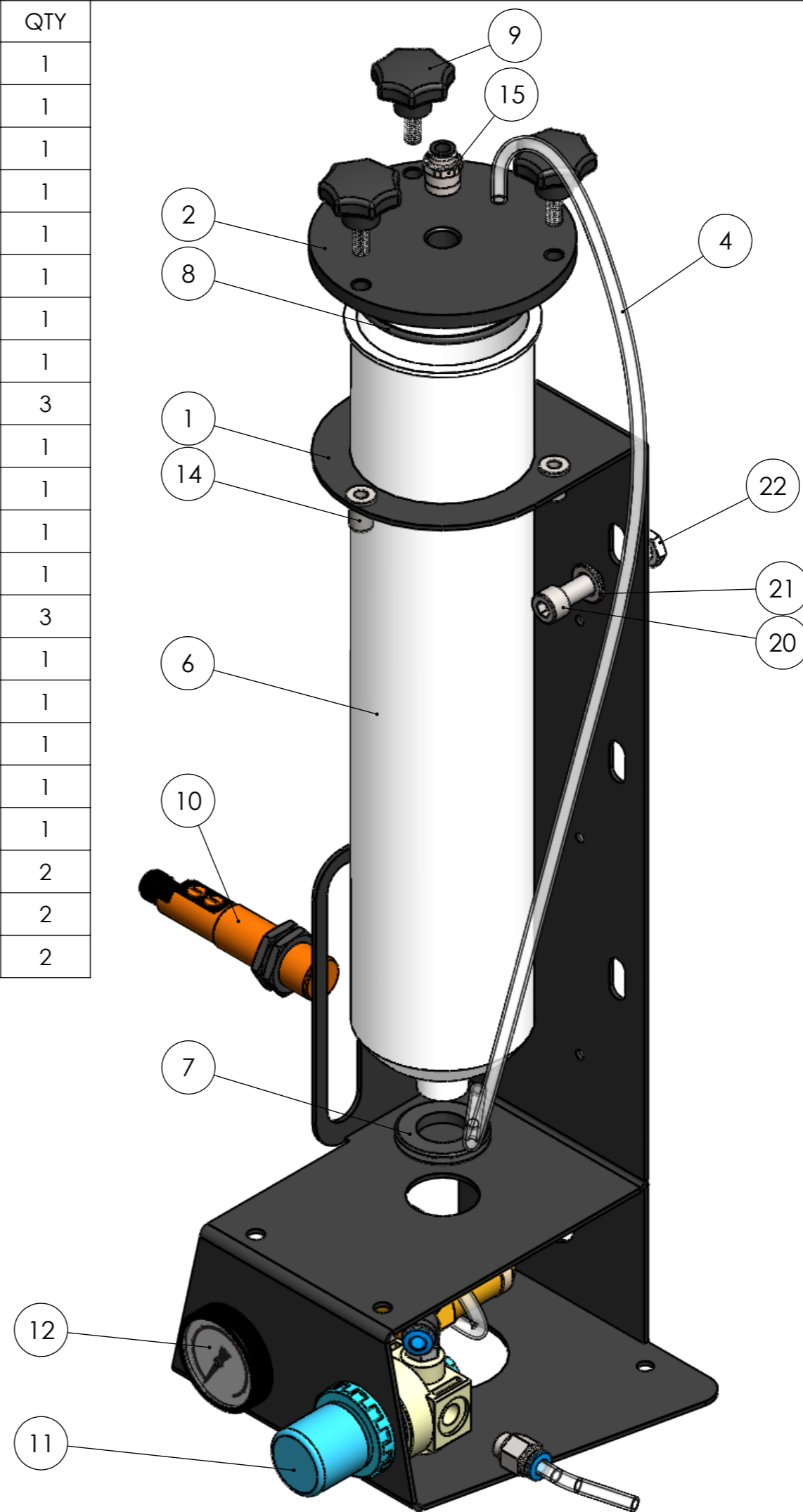
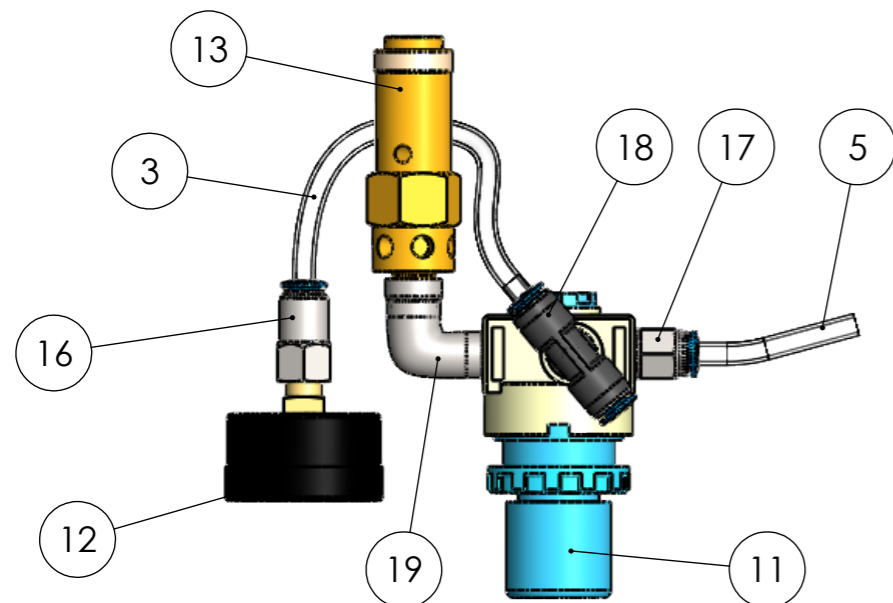
DO NOT SCALE DRAWING
 BREAK SHARP EDGES WITH CHAMFER 0.3x45° WEIGHT: g

TITLE:
PLASTIC RESERVOIR 32oz

DWG NO. **900ML-S** A3

SCALE: 1:3 IF IN DOUBT ASK SHEET 1 OF 2

#	PART NUMBER	DESCRIPTION	QTY
1	901	STEEL FRAME	1
2	903	CAP	1
3	904	FLUID TUBING 6mm CLEAR - REG TO MANO	1
4	905	FLUID TUBING 6mm CLEAR - REG TO RESERVOIR	1
5	906	FLUID TUBING 6mm CLEAR - INLET	1
6	TE1K32	32oz PLASTIC RESERVOIR	1
7	HGROMMET20-28	GROMMET ID20 OD28	1
8	OR-3-60	O-RING 60mm ID x 3mm	1
9	BM6x15SSSTAR	M6 STAR BOLT	3
10	HCAPACITIVESENSOR	CAPACITIVE SENSOR	1
11	HREGULATORAIR30	PRESSURE REGULATOR 0-30 PSI	1
12	AN-30-G	PRESSURE GAUGE 0-30PSI	1
13	30-SV	SAFETY VALVE 30 PSI	1
14	NRIVETM6-3ST	RIVNUT M6 TH0.5-3 STEEL	3
15	HFITTINGAIRM0.25-6	AIR INLET FITTING MALE 1/4 TUBE 6mm	1
16	HFITTINGAIRF0.125-6	AIR FITTING FEMALE 1/8 TUBE 6mm	1
17	HFITTINGAIRM0.125-6	AIR FITTING STRAIGHT MALE 1/8 TUBE 6	1
18	HFITTINGTEEAIRM0.125-6	AIR FITTING TEE MALE 1/8 TUBE 6	1
19	HELBOWM0.25-F0.25SS	ELBOW ADAPTOR MALE1/4 x FEMALE1/4 STAINLESS	1
20	BM8x20STCAP	CAP HEAD BOLT M8x20 STEEL	2
21	WM8-16ST	WASHER M10	2
22	NM8ST	NUT STEEL M8	2



REVISION	INITIALS	DATE	MODIFICATIONS
A	NR	28.06.20	INITIAL ISSUE

This document must not be copied without our written permission, and the contents thereof must not be imparted to a third party nor be used for any unauthorised purpose. Contravention will be prosecuted.		GENERAL TOLERANCE Unless otherwise stated Linear: 0.0 +/- 0.25 Angular: 0.0 +/- 1° Surface Roughness: Ra1.6	
		ISO STANDARD FOR Thread class external 6g internal 6H Geometric Tolerances	
	NAME	DATE	
DRAWN	NICOLAS REYNIER	28.06.2020	
APPV'D	SIMON KAYE		

MATERIAL:	
SR-TEK	
FINISH:	

	DO NOT SCALE DRAWING
BREAK SHARP EDGES WITH CHAMFER 0.3x45°	WEIGHT: g

TITLE:	PLASTIC RESERVOIR 32oz
--------	-------------------------------

DWG NO.	900ML-S	A3
SCALE: 1:3	IF IN DOUBT ASK	SHEET 2 OF 2