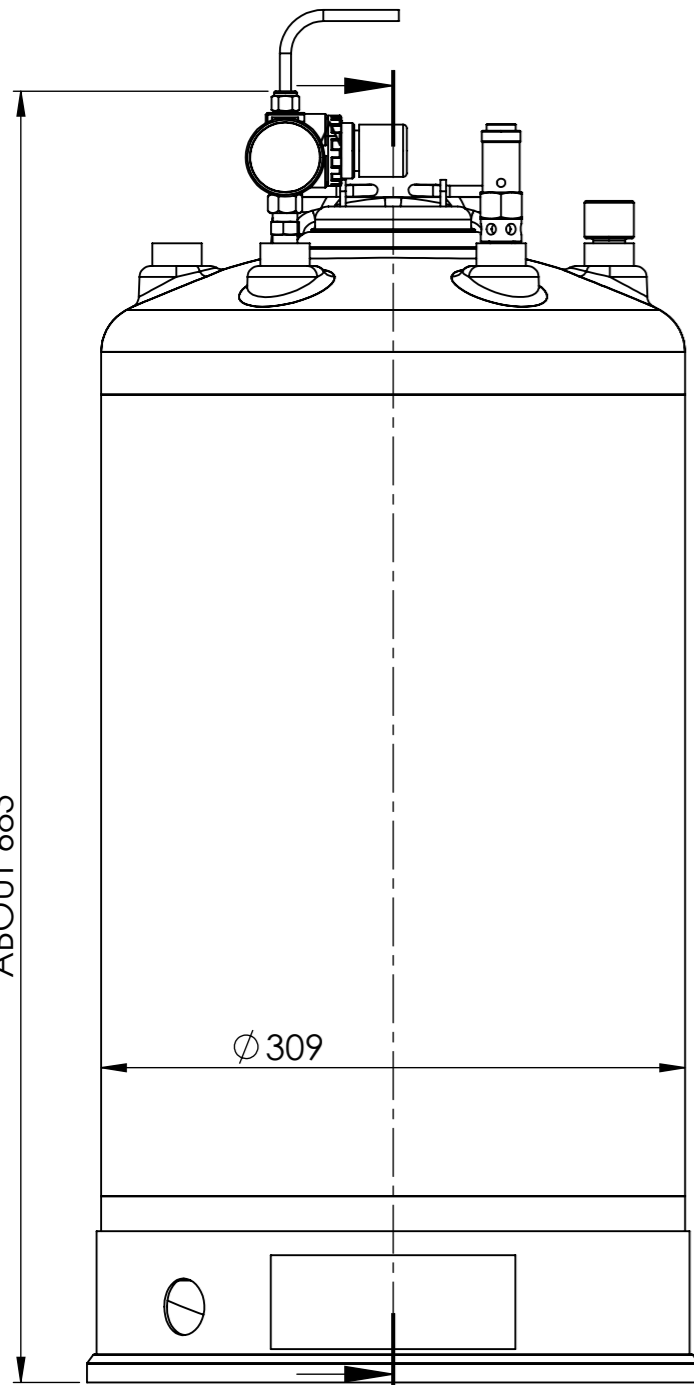
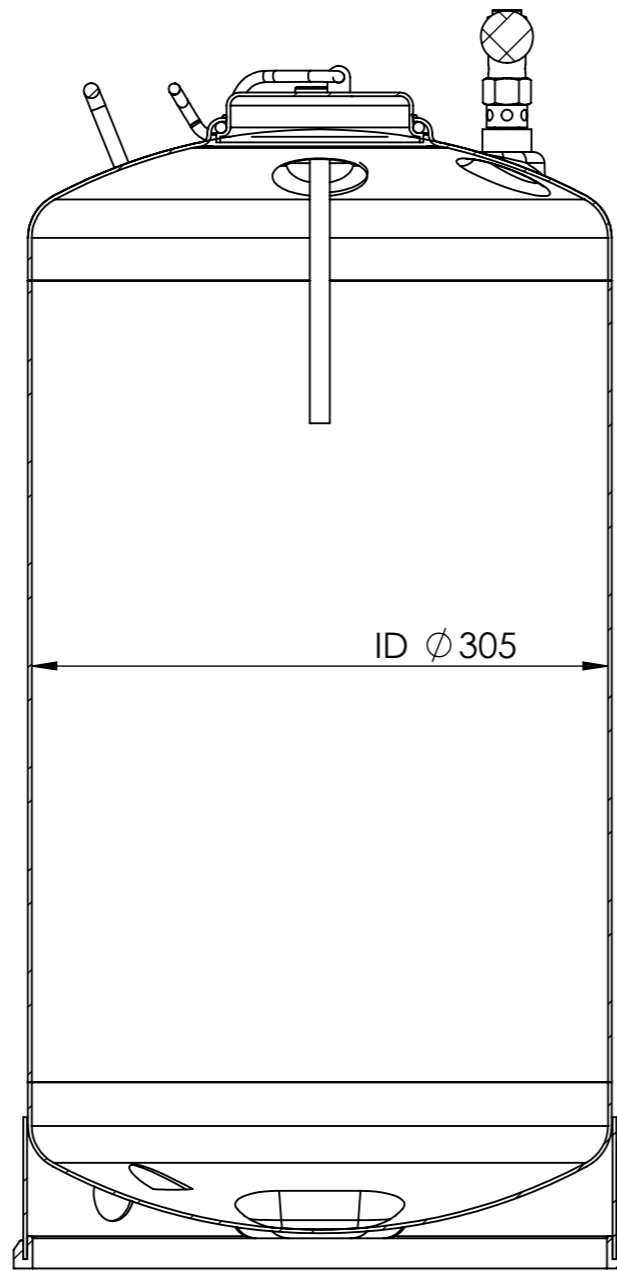


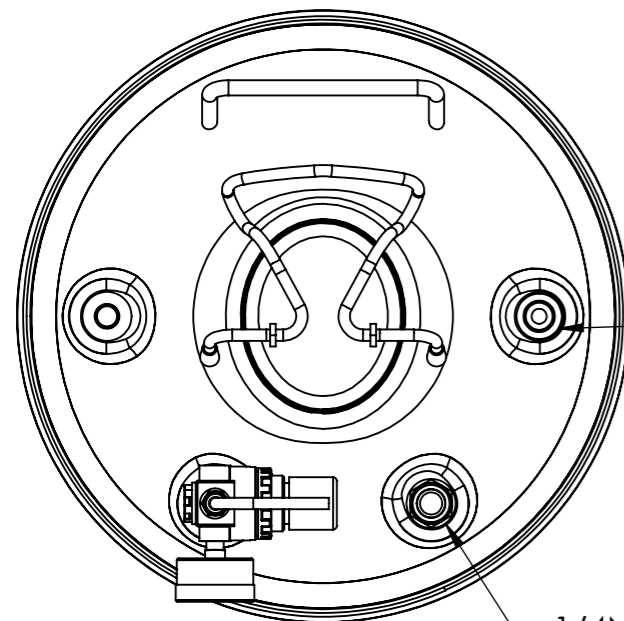
ABOUT 683



A



COUPE A-A



3/8NPT-18 THREAD

1/4NPT-18 THREAD
3 PLACES

NOTE :

1. DIMENSIONS ARE IN mm
2. MATERIALS :
tank, cover and dip tube :
stainless steel 304, option 316 (3800ML-LTSS)
output fittings : polypropylene
oring : viton
3. MAXIMUM WORKING PRESSURE :
185 PSI (12.7 bar) @ 38°C
4. CAPACITY WITHOUT LINER : 60 LITRES
5. TANK WILL NOT BE FULLY DRAINABLE
WITH THIS OUTLET DESIGN
6. DIMENSIONS ARE FOR REFERENCE ONLY

LID WITH O-RING
oval opening : 98.5mm x 82.5mm

DIP TUBE

AIR SAFETY
RELIEF VALVE

AIR PRESSURE
REGULATOR
and GAUGE



REVISION	INITIALS	DATE	MODIFICATIONS
A	NR	25.08.20	INITIAL ISSUE

This document must not be copied without our written permission, and the contents thereof must not be imparted to a third party nor be used for any unauthorised purpose. Contravention will be prosecuted.

GENERAL TOLERANCE
Unless otherwise stated
Linear: 0.0 +/- 0.25
Angular: 0.0 +/- 1°
Surface Roughness: Ra1.6

NAME	DATE	ISO STANDARD FOR
DRAWN NICOLAS REYNIER	25.08.2020	Thread class external 6g internal 6H
APPV'D SIMON KAYE		Geometric Tolerances

SR-TEK MATERIAL:
STAINLESS STEEL 304
OPTION -LTSS 316
FINISH:

DO NOT SCALE DRAWING

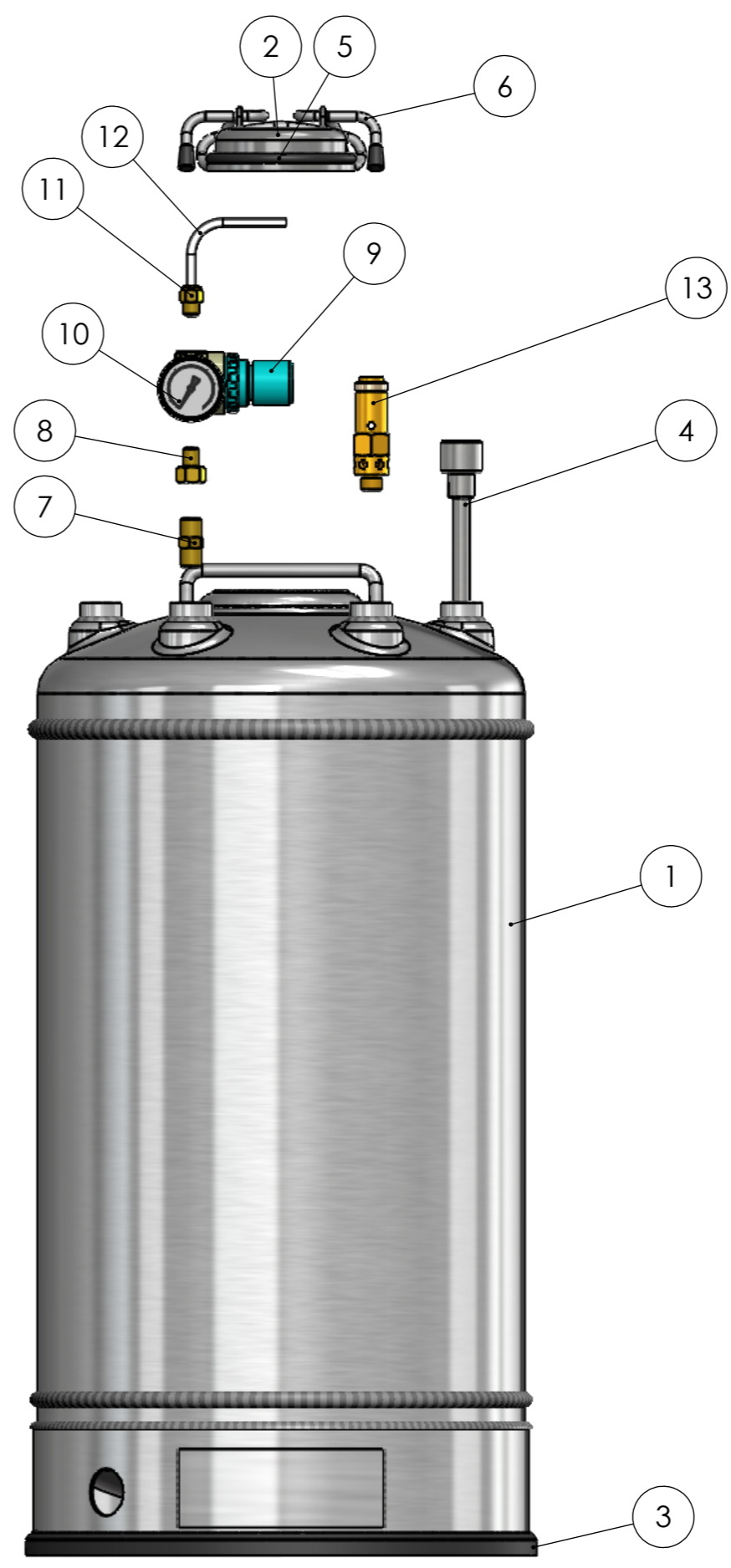
BREAK SHARP EDGES WITH CHAMFER 0.3x45° WEIGHT: g

TITLE:
60L RESERVOIR ASSY

DWG NO. **6000CL-LT** A3

SCALE: 1:4 IF IN DOUBT ASK SHEET 1 OF 2

#	PART NUMBER	DESCRIPTION	QTY
1	6001-LT	3.8 L LIGHTWEIGHT RESERVOIR BODY	1
2	3802-LT	RESERVOIR LID	1
3	6012-LT	SKIRT RUBBER	1
4	6013-LT	DIP TUBE	1
5	3814-LT	LID O-RING	1
6	3815-LT	LID CLOSING HANDLE	1
7	HNIPPLE0.25	NIPPLE NPT 1/4"	1
8	HADAPTERF.25-M.125	1/8 MALE 1/4 FEMALE BSP NIPPLE ADAPTER	1
9	HREGULATORAIR100	PRESSURE REGULATOR 0-100 PSI	1
10	AN-100-G	PRESSURE GAUGE 0-100PSI	1
11	HADAPTER0.125-6	STRAIGHT ADAPTOR G1/8 x 6mm	1
12	6PE-CL	FLUID TUBING 6mm CLEAR (not supplied)	1
13	100-SV	SAFETY VALVE 0.25 100 PSI	1



REVISION	INITIALS	DATE	MODIFICATIONS
A	NR	25.08.20	INITIAL ISSUE

This document must not be copied without our written permission, and the contents thereof must not be imparted to a third party nor be used for any unauthorised purpose. Contravention will be prosecuted.

GENERAL TOLERANCE
Unless otherwise stated
Linear: 0.0 +/- 0.25
Angular: 0.0 +/- 1°
Surface Roughness: Ra1.6

ISO STANDARD FOR
Thread class
external 6g
internal 6H
Geometric Tolerances

	NAME	DATE
DRAWN	NICOLAS REYNIER	25.08.2020
APPV'D	SIMON KAYE	

SR-TEK MATERIAL: STAINLESS STEEL 304
OPTION -LTSS 316
FINISH:

DO NOT SCALE DRAWING

BREAK SHARP EDGES WITH CHAMFER 0.3x45° WEIGHT: g

TITLE:
60L RESERVOIR ASSEMBLY

DWG NO. **6000CL-LT** A3

SCALE: 1:4 IF IN DOUBT ASK SHEET 2 OF 2