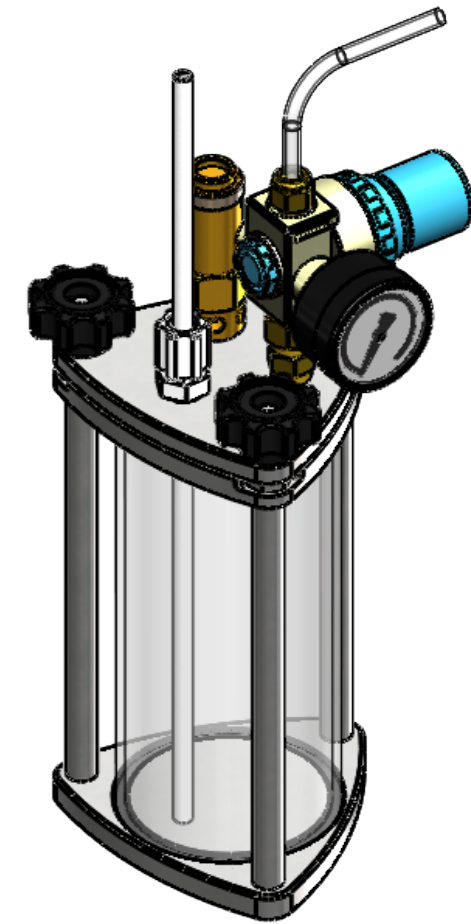
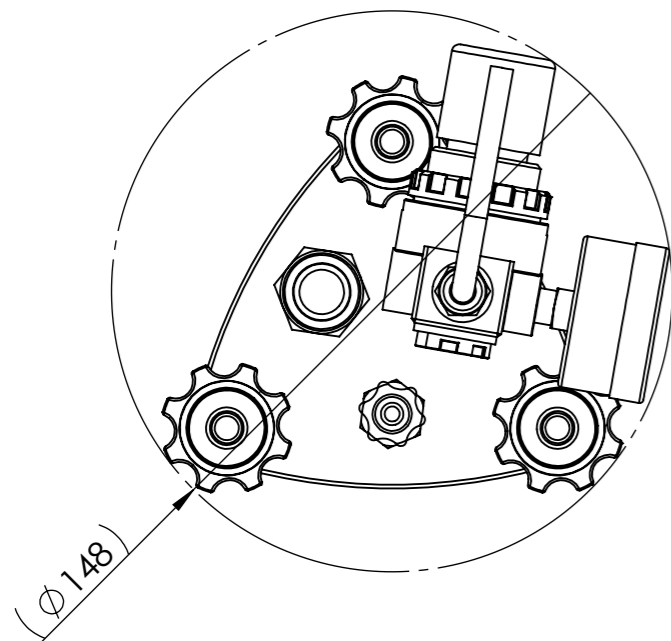
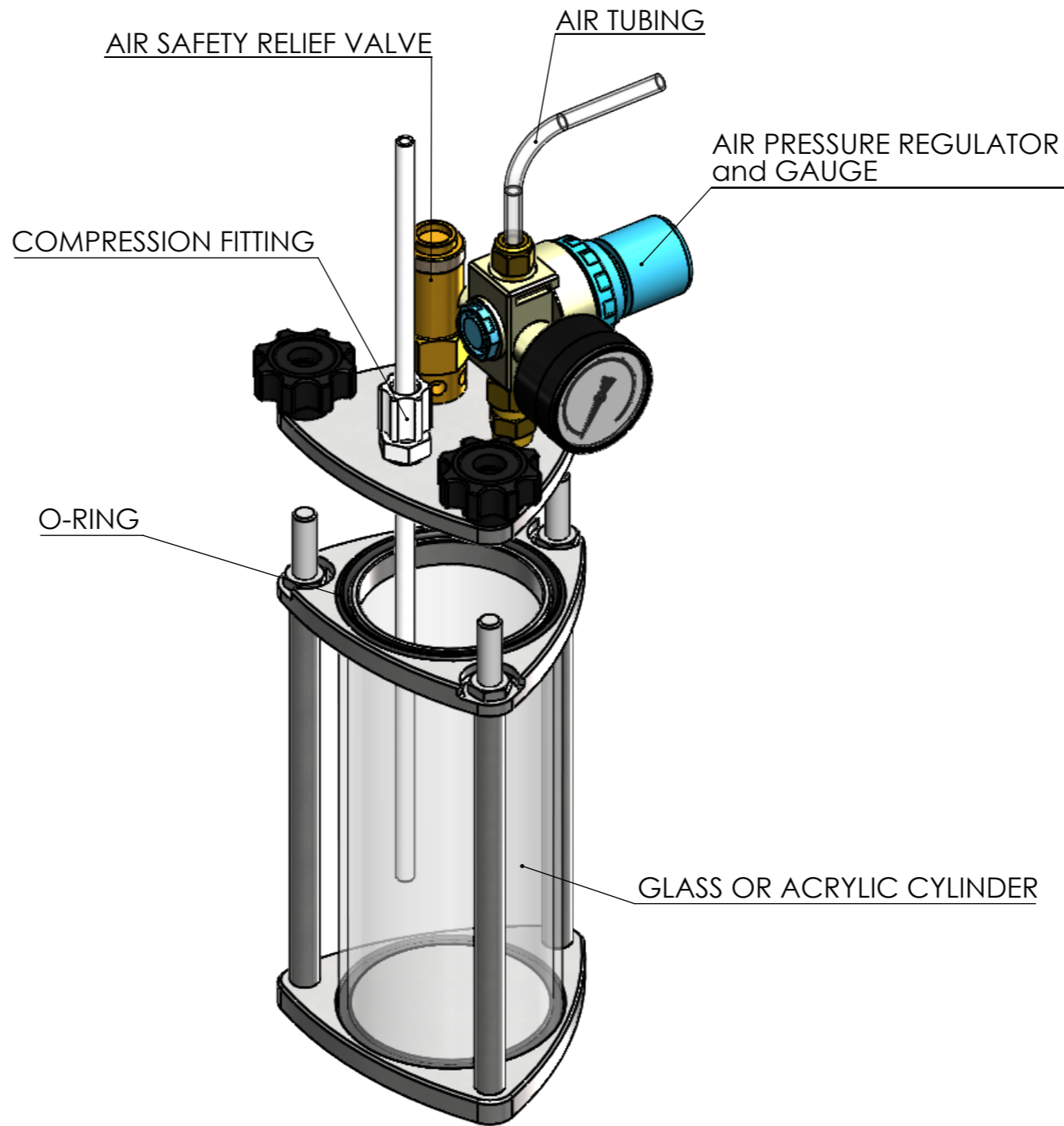
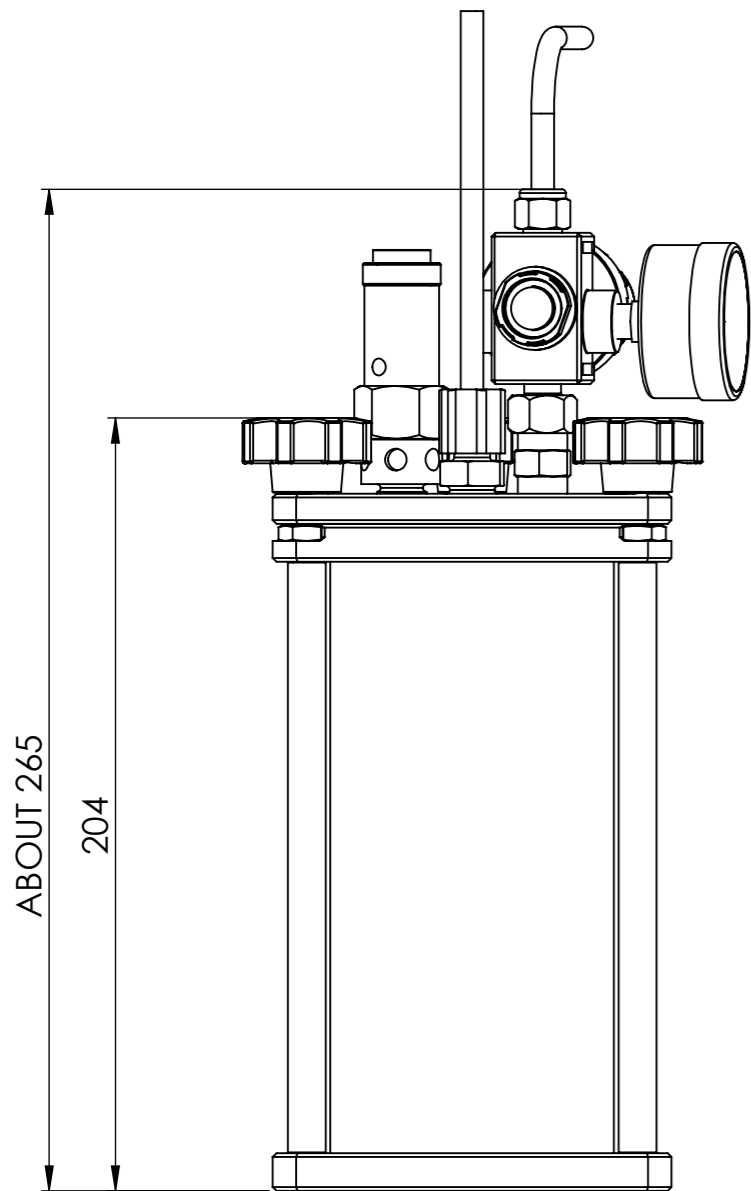


**NOTE :**

1. DIMENSIONS ARE IN mm
2. MATERIALS :  
 tank : glass or acrylic  
 structure : stainless steel 303/304 (316 option)  
 output fittings : polypropylene      oring : Viton
3. MAXIMUM PRESSURE : 60 PSI (4.1 bar)
4. CAPACITY WITHOUT LINER : 0.5 LITRE
5. INSIDE DIMENSIONS :  $\phi$  69mm x 160mm DEEP
6. DIMENSIONS ARE FOR REFERENCE ONLY
7. ALSO SUPPLIED :



REVISION	INITIALS	DATE	MODIFICATIONS
A	NR	01.11.17	INITIAL ISSUE
B	NR	26.05.19	UPDATE OF VARIOUS MODELS TO FIT REALITY

This document must not be copied without our written permission, and the contents thereof must not be imparted to a third party nor be used for any unauthorised purpose. Contravention will be prosecuted.	<b>GENERAL TOLERANCE</b> Unless otherwise stated Linear: 0.0 +/- 0.25 Angular: 0.0 +/- 1° Surface Roughness: Ra1.6	
	<b>ISO STANDARD FOR</b> Thread class external 6g internal 6H Geometric Tolerances	
<b>DRAWN</b> NICOLAS REYNIER <b>APPV'D</b> SIMON KAYE	<b>NAME</b> NICOLAS REYNIER	<b>DATE</b> 01.11.2017

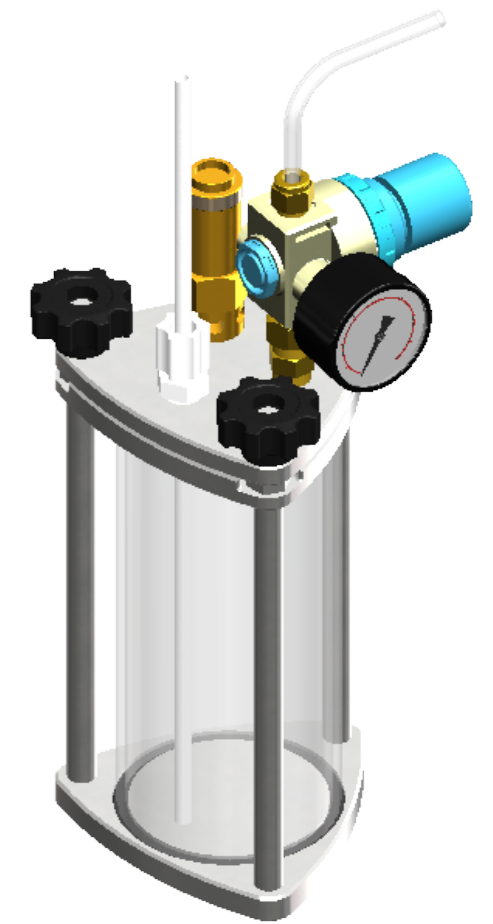
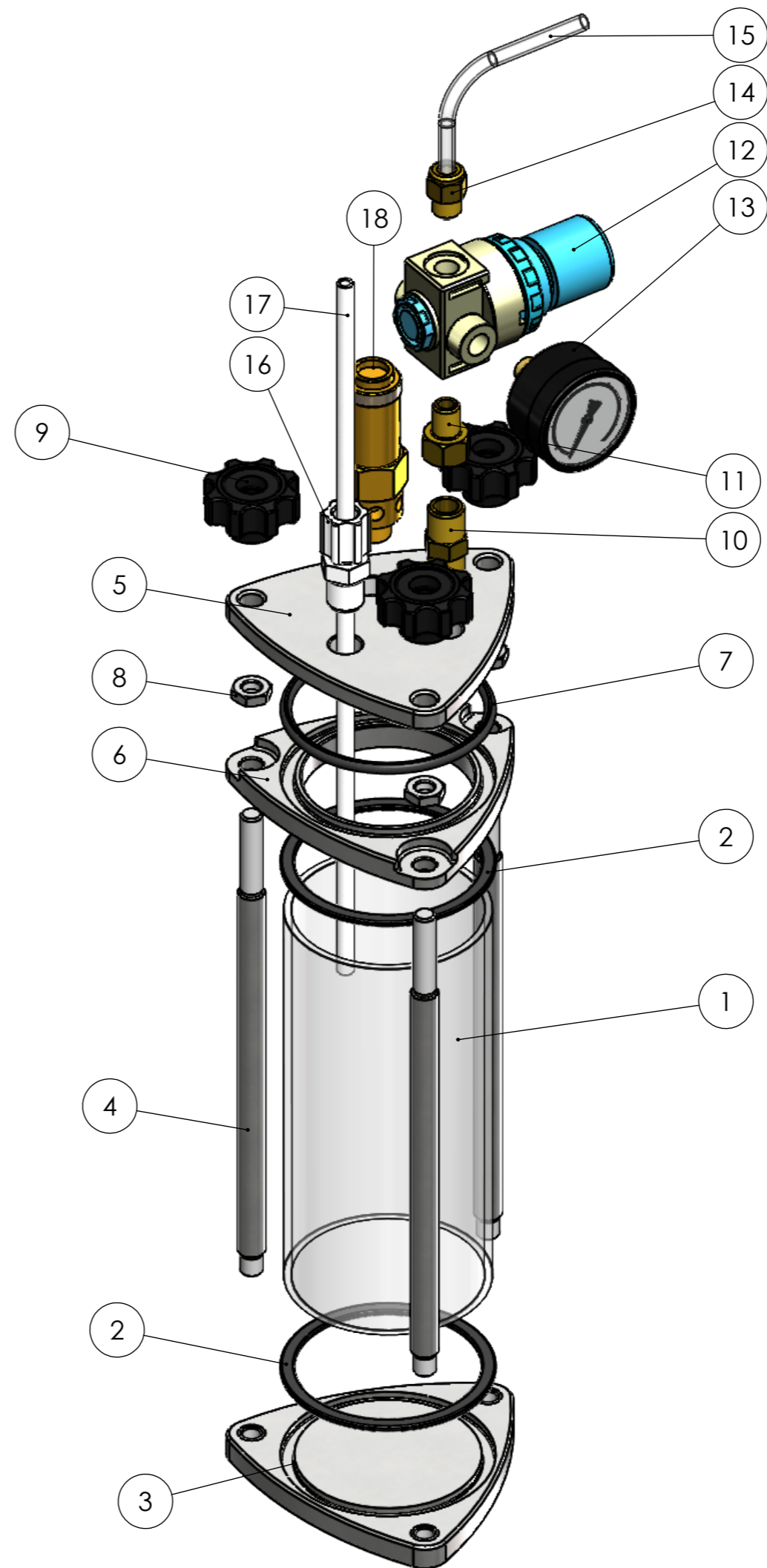
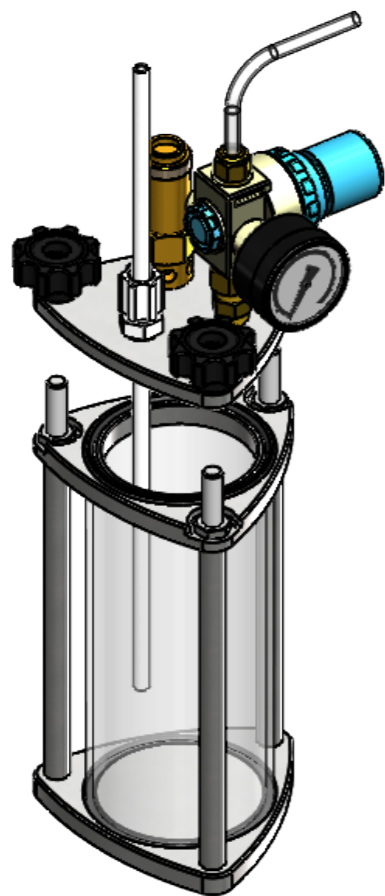
**SR-TEK** MATERIAL: STAINLESS STEEL  
 GLASS / ACRYLIC  
 FINISH: BRUSHED

DO NOT SCALE DRAWING  
 BREAK SHARP EDGES WITH CHAMFER 0.3x45°      **WEIGHT: 1.2 kg**

TITLE:  
**0.5L CLEAR TANK**

DWG NO. **500ML-CT**      **Revision B**      **A3**

#	PART NUMBER	DESCRIPTION	QTY
1	508	GLASS OR ACRYLIC CYLINDER 0.5L	1
2	509	VITON FLAT SEAL	2
3	510	BASE PLATE	1
4	518	ROD	3
5	519	LID	1
6	520	TOP PLATE	1
7	OR-4-69	ORING VITON 69x4	1
8	NM8SS	NUT STAINLESS STEEL M8	3
9	NM8PLSTAR	STAR GRIP NUT M8	3
10	HNIPPLE0.25	NIPPLE NPT 1/4"	1
11	HADAPTERF.25-M.125	1/8 MALE 1/4 FEMALE BSP NIPPLE ADAPTER	1
12	HREGULATORAIR60	AIR PRESSURE REGULATOR 0-60 PSI	1
13	AN-60-G	PRESSURE GAUGE 0-60 PSI	1
14	HADAPTER0.125-6	STRAIGHT ADAPTOR G1/8 x 6mm	1
15	6PE-CL	FLUID TUBING 6mm CLEAR	1
16	FIT-0.25-COMP-6	COMPRESSION ADAPTER 1/4NPT 6mm	1
17	6PE-WH-0.5L	CLEAR TUBING DIAM6	1
18	60-SV	SAFETY VALVE 0.25 60PSI	1



REVISION	INITIALS	DATE	MODIFICATIONS
A	NR	01.11.17	INITIAL ISSUE
B	NR	26.05.19	UPDATE OF VARIOUS MODELS TO FIT REALITY

This document must not be copied without our written permission, and the contents thereof must not be imparted to a third party nor be used for any unauthorised purpose. Contravention will be prosecuted.		<b>GENERAL TOLERANCE</b> Unless otherwise stated Linear: 0.0 +/- 0.25 Angular: 0.0 +/- 1° Surface Roughness: Ra1.6						
<table border="1"> <thead> <tr> <th>NAME</th> <th>DATE</th> </tr> </thead> <tbody> <tr> <td>DRAWN NICOLAS REYNIER</td> <td>01.11.2017</td> </tr> <tr> <td>APPV'D SIMON KAYE</td> <td> </td> </tr> </tbody> </table>		NAME	DATE	DRAWN NICOLAS REYNIER	01.11.2017	APPV'D SIMON KAYE		<b>ISO STANDARD FOR</b> Thread class external 6g internal 6H Geometric Tolerances
NAME	DATE							
DRAWN NICOLAS REYNIER	01.11.2017							
APPV'D SIMON KAYE								

**SR-TEK** MATERIAL: STAINLESS STEEL  
GLASS / ACRYLIC  
FINISH: BRUSHED

DO NOT SCALE DRAWING  
 BREAK SHARP EDGES WITH CHAMFER 0.3x45° WEIGHT: 1.2 kg

TITLE:  
**0.5L CLEAR TANK**

DWG NO. **500ML-CT** Revision B A3

SCALE: 1:2 IF IN DOUBT ASK SHEET 2 OF 2