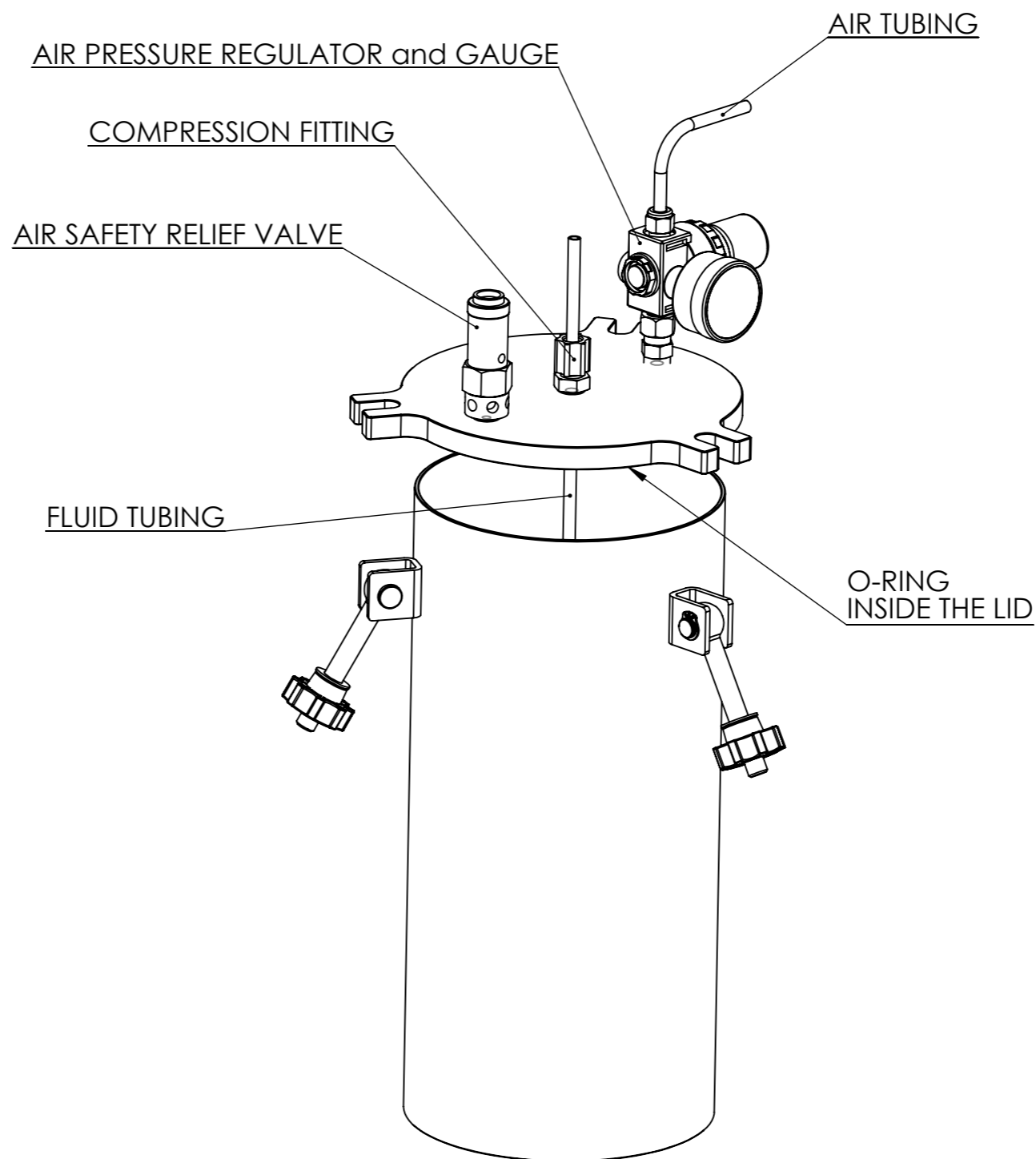


NOTE :

1. DIMENSIONS ARE IN mm
2. MATERIALS :
 tank and cover : stainless steel 303/304 (316 OPTION)
 dip tube :
 output fittings : polypropylene
 oring : Viton
3. MAXIMUM PRESSURE : 100 PSI (6.9 bar)
4. CAPACITY WITHOUT LINER : 5 LITRES
5. INSIDE DIMENSIONS : Ø 150mm x 315mm DEEP
6. DRY WEIGHT :
7. DIMENSIONS ARE FOR REFERENCE ONLY
8. ALSO SUPPLIED :



REVISION	INITIALS	DATE	MODIFICATIONS
A	NR	03.08.14	INITIAL ISSUE
B	NR	23.05.19	UPDATE OF VARIOUS MODELS TO FIT REALITY

This document must not be copied without our written permission, and the contents thereof must not be imparted to a third party nor be used for any unauthorised purpose. Contravention will be prosecuted.	GENERAL TOLERANCE Unless otherwise stated Linear: 0.0 +/- 0.25 Angular: 0.0 +/- 1° Surface Roughness: Ra1.6							
	ISO STANDARD FOR Thread class external 6g internal 6H Geometric Tolerances							
<table border="1"> <thead> <tr> <th>NAME</th> <th>DATE</th> </tr> </thead> <tbody> <tr> <td>DRAWN NICOLAS REYNIER</td> <td>03.08.14</td> </tr> <tr> <td>APPV'D SIMON KAYE</td> <td>03.08.14</td> </tr> </tbody> </table>	NAME	DATE	DRAWN NICOLAS REYNIER	03.08.14	APPV'D SIMON KAYE	03.08.14	MATERIAL: STAINLESS STEEL FINISH: BRUSHED	
NAME	DATE							
DRAWN NICOLAS REYNIER	03.08.14							
APPV'D SIMON KAYE	03.08.14							

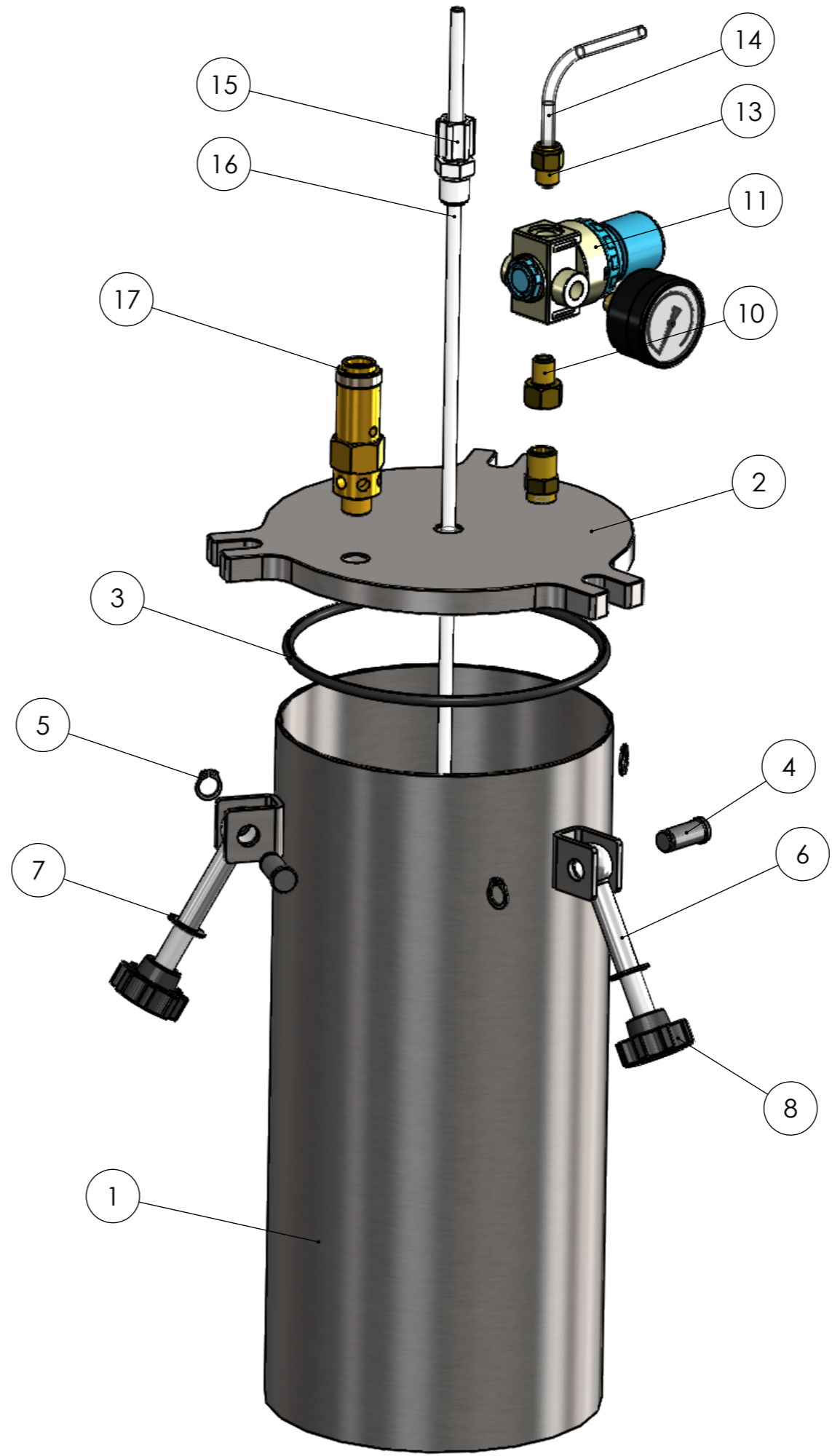
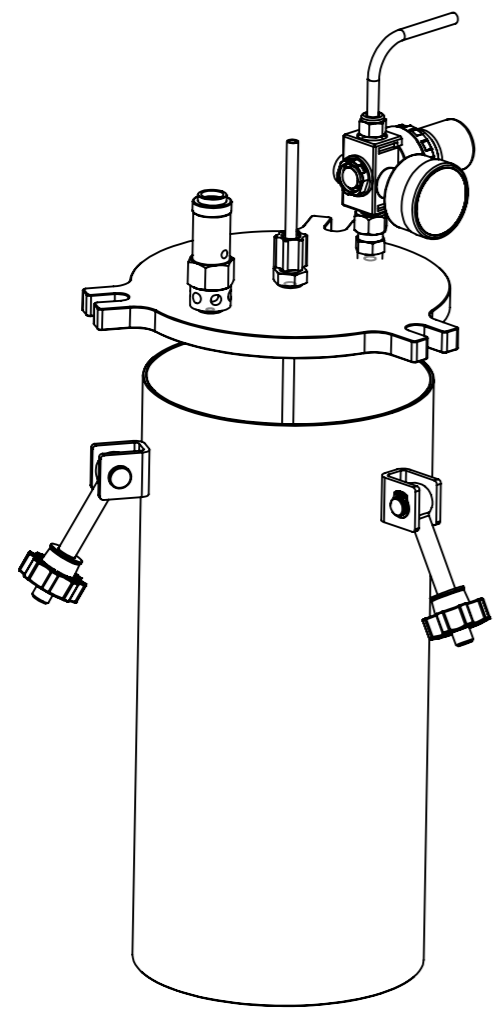
SR-TEK		DO NOT SCALE DRAWING
BREAK SHARP EDGES WITH CHAMFER 0.3x45°		WEIGHT: 5.7 kg

TITLE:

5L RESERVOIR ASSY

DWG NO.	5000ML-ST Revision B	A3
SCALE: 1:3		IF IN DOUBT ASK SHEET 1 OF 2

#	PART NUMBER	DESCRIPTION	QTY
1	5011B	5L RESERVOIR BODY	1
2	5010L	5L RESERVOIR LID	1
3	OR-4.5-140	O-RING 140x4.5 VITON	1
4	1015	DOWEL PIN	3
5	HCIRCLIPXT10	CIRCLIP EXTERNAL D10	3
6	BM10x75SSSWING	SWING BOLT M10	3
7	WM10-19SS	WASHER M10	3
8	70800.W0033	EIGHT LOBED KNOB M10 PLASTIC BRASS	3
9	HNIPPLE0.25	NIPPLE NPT 1/4"	1
10	HADAPTERF.25-M.125	1/8 MALE 1/4 FEMALE BSP NIPPLE ADAPTER	1
11	HREGULATORAIR100	AIR PRESSURE REGULATOR 0-100 PSI	1
12	AN-100-G	PRESSURE GAUGE 0-100PSI	1
13	HADAPTER0.125-6	STRAIGHT ADAPTOR G1/8 x 6mm	1
14	6PE-CL	FLUID TUBING 6mm CLEAR	1
15	FIT-0.25-COMP-6	COMPRESSION ADAPTER 1/4NPT 6mm	1
16	6PE-WH-5L	FLUID TUBING 6mm WHITE	1
17	100-SV	SAFETY VALVE 0.25 100PSI	1



REVISION	INITIALS	DATE	MODIFICATIONS
A	NR	03.08.14	INITIAL ISSUE
B	NR	23.05.19	UPDATE OF VARIOUS MODELS TO FIT REALITY

This document must not be copied without our written permission, and the contents thereof must not be imparted to a third party nor be used for any unauthorised purpose. Contravention will be prosecuted.

GENERAL TOLERANCE
Unless otherwise stated
Linear: 0.0 +/- 0.25
Angular: 0.0 +/- 1°
Surface Roughness: Ra1.6

ISO STANDARD FOR
Thread class
external 6g
internal 6H
Geometric Tolerances

	NAME	DATE
DRAWN	NICOLAS REYNIER	03.08.14
APPV'D	SIMON KAYE	03.08.14

SR-TEK MATERIAL: STAINLESS STEEL
FINISH: BRUSHED

DO NOT SCALE DRAWING

BREAK SHARP EDGES WITH CHAMFER 0.3x45° WEIGHT: 5.7 kg

TITLE:
5L RESERVOIR ASSEMBLY

DWG NO. **5000ML-ST** Revision B A3

SCALE: 1:3 IF IN DOUBT ASK SHEET 2 OF 2