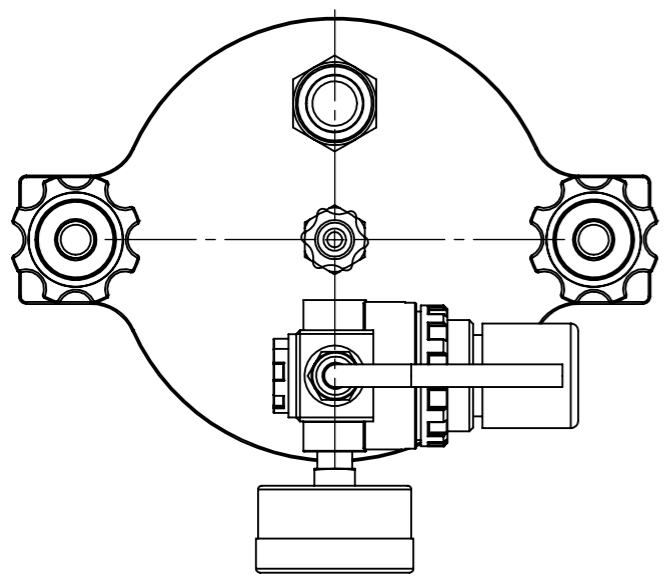
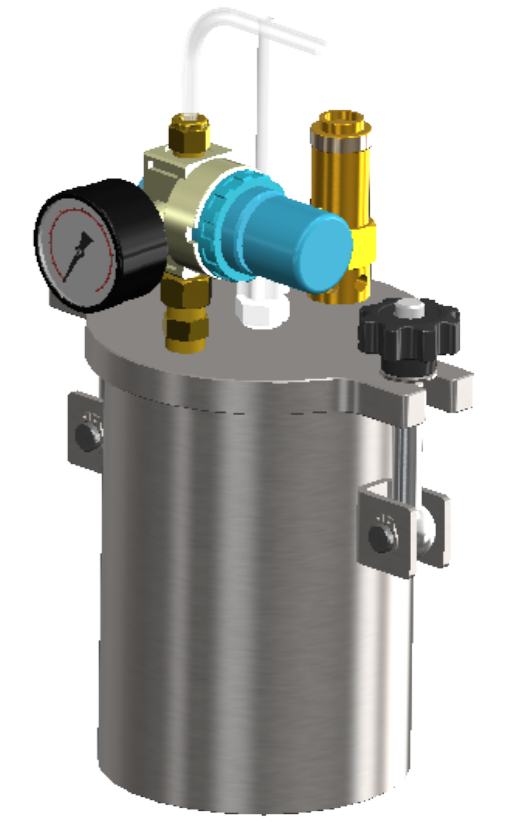


NOTE :

1. DIMENSIONS ARE IN mm
2. MATERIALS :
 tank and cover : stainless steel 303/304 (316 option)
 dip tube :
 output fittings : polypropylene
 oring : Viton
3. MAXIMUM PRESSURE : 100 PSI (6.9 bar)
4. CAPACITY WITHOUT LINER : 1 LITRE
5. INSIDE DIMENSIONS : \varnothing 100mm x 135mm DEEP
6. DRY WEIGHT :
7. DIMENSIONS ARE FOR REFERENCE ONLY
8. ALSO SUPPLIED :



AIR PRESSURE REGULATOR and GAUGE

AIR TUBING

AIR SAFETY RELIEF VALVE

COMPRESSION FITTING

O-RING
INSIDE THE LID

FLUID TUBING

REVISION	INITIALS	DATE	MODIFICATIONS
A	NR	28.07.14	INITIAL ISSUE
B	NR	26.03.18	CHANGE OF SEALING METHOD
C	NR	23.05.19	UPDATE OF VARIOUS MODELS TO FIT REALITY

This document must not be copied without our written permission, and the contents thereof must not be imparted to a third party nor be used for any unauthorised purpose. Contravention will be prosecuted.		GENERAL TOLERANCE Unless otherwise stated Linear: 0.0 +/- 0.25 Angular: 0.0 +/- 1° Surface Roughness: Ra1.6
		ISO STANDARD FOR Thread class external 6g internal 6H Geometric Tolerances
DRAWN	NICOLAS REYNIER	28.07.2014
APPV'D	SIMON KAYE	03.08.2014

SR-TEK MATERIAL: STAINLESS STEEL
 FINISH: BRUSHED

DO NOT SCALE DRAWING

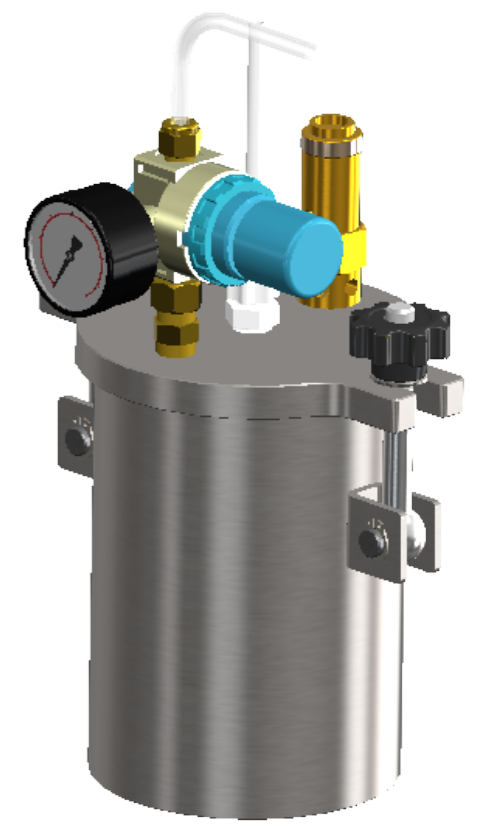
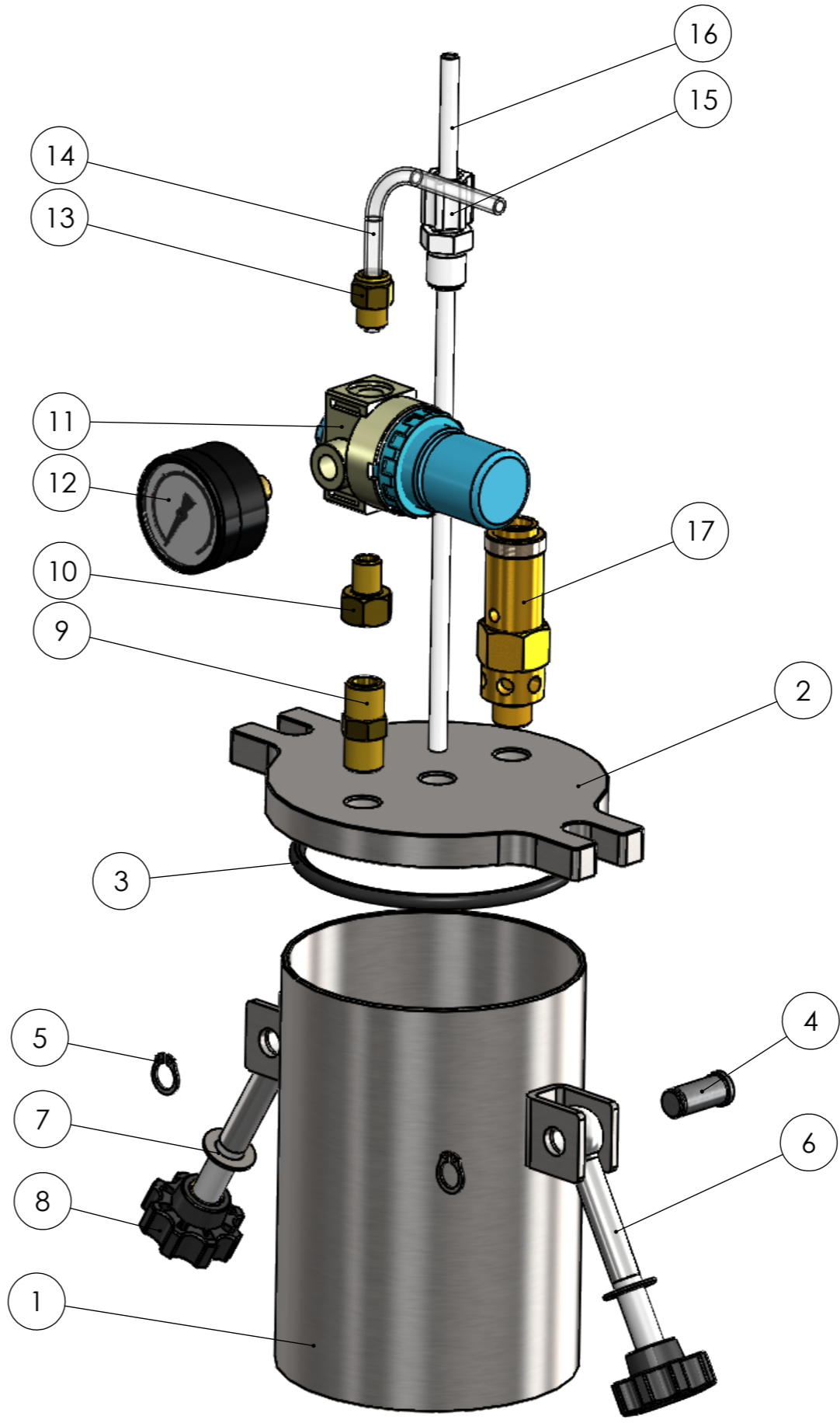
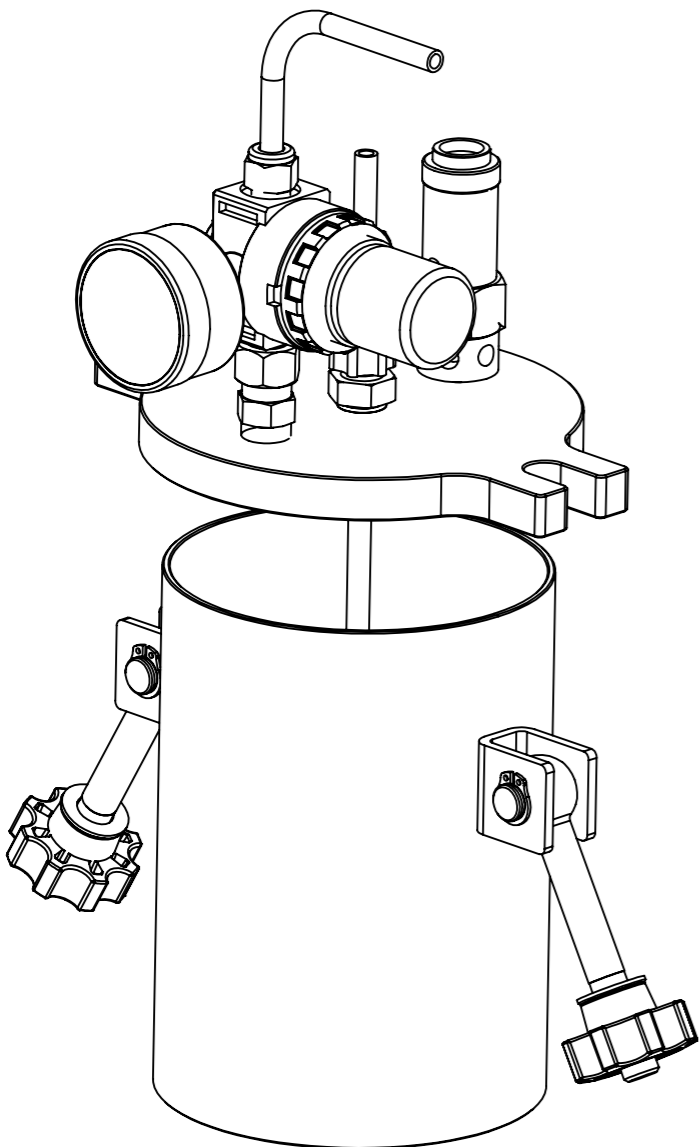
BREAK SHARP EDGES WITH CHAMFER 0.3x45° WEIGHT: 2.4 kg

TITLE:
1L RESERVOIR ASSY

DWG NO. **1000ML-ST** Revision C A3

SCALE: 1:2 IF IN DOUBT ASK SHEET 1 OF 2

#	PART NUMBER	DESCRIPTION	QTY
1	1011B	1L RESERVOIR BODY	1
2	1010L	1L & 2L RESERVOIR LID	1
3	OR-4.5-90	O-RING 90x4.5 VITON	1
4	1015	DOWEL PIN	2
5	HCIRCLIPEXT10	CIRCLIP EXTERNAL D10	2
6	BM10x75SSSWING	SWING BOLT M10	2
7	WM10-19SS	WASHER M10	2
8	70800.W0033	EIGHT LOBED KNOB M10 PLASTIC BRASS	2
9	HNIPPLE0.25	NIPPLE NPT 1/4"	1
10	HADAPTERF.25-M.125	1/8 MALE 1/4 FEMALE BSP NIPPLE ADAPTER	1
11	HREGULATORAIR100	AIR PRESSURE REGULATOR 0-100 PSI	1
12	AN-100-G	PRESSURE GAUGE 0-100PSI	1
13	HADAPTER0.125-6	STRAIGHT ADAPTOR G1/8 x 6mm	1
14	6PE-CL	FLUID TUBING 6mm CLEAR	1
15	FIT-0.25-COMP-6	COMPRESSION ADAPTER 1/4NPT 6mm	1
16	6PE-WH	FLUID TUBING 6mm WHITE	1
17	100-SV	SAFETY VALVE 0.25 100PSI	1



REVISION	INITIALS	DATE	MODIFICATIONS
A	NR	28.07.14	INITIAL ISSUE
B	NR	26.03.18	CHANGE OF SEALING METHOD
C	NR	23.05.19	UPDATE OF VARIOUS MODELS TO FIT REALITY

This document must not be copied without our written permission, and the contents thereof must not be imparted to a third party nor be used for any unauthorised purpose. Contravention will be prosecuted.		GENERAL TOLERANCE Unless otherwise stated Linear: 0.0 +/- 0.25 Angular: 0.0 +/- 1° Surface Roughness: Ra1.6
		ISO STANDARD FOR Thread class external 6g internal 6H Geometric Tolerances
	NAME	DATE
DRAWN	NICOLAS REYNIER	28.07.14
APPV'D	SIMON KAYE	03.08.14

SR-TEK MATERIAL: STAINLESS STEEL
 FINISH: BRUSHED

DO NOT SCALE DRAWING

BREAK SHARP EDGES WITH CHAMFER 0.3x45° WEIGHT: 2.4 kg

TITLE:
1L RESERVOIR ASSEMBLY

DWG NO. **1000ML-ST** Revision C A3

SCALE: 1:2 IF IN DOUBT ASK SHEET 2 OF 2