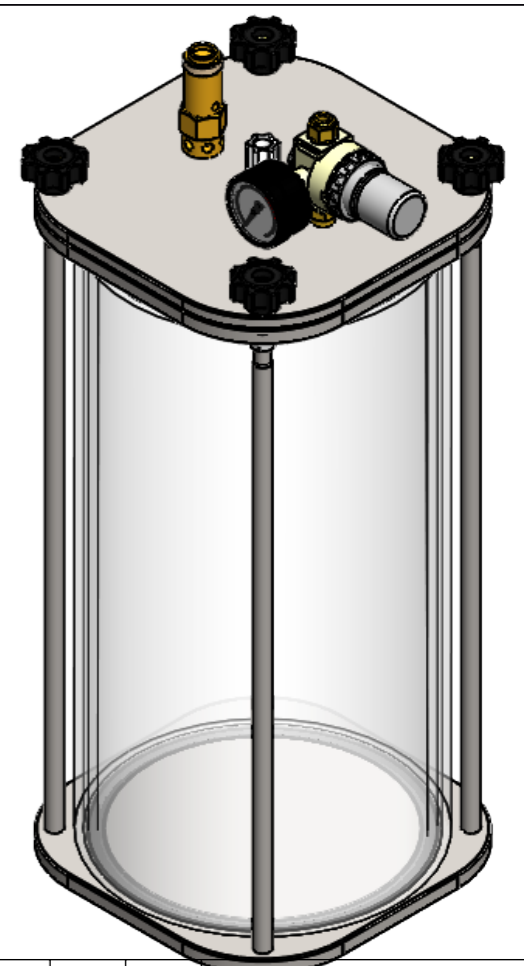
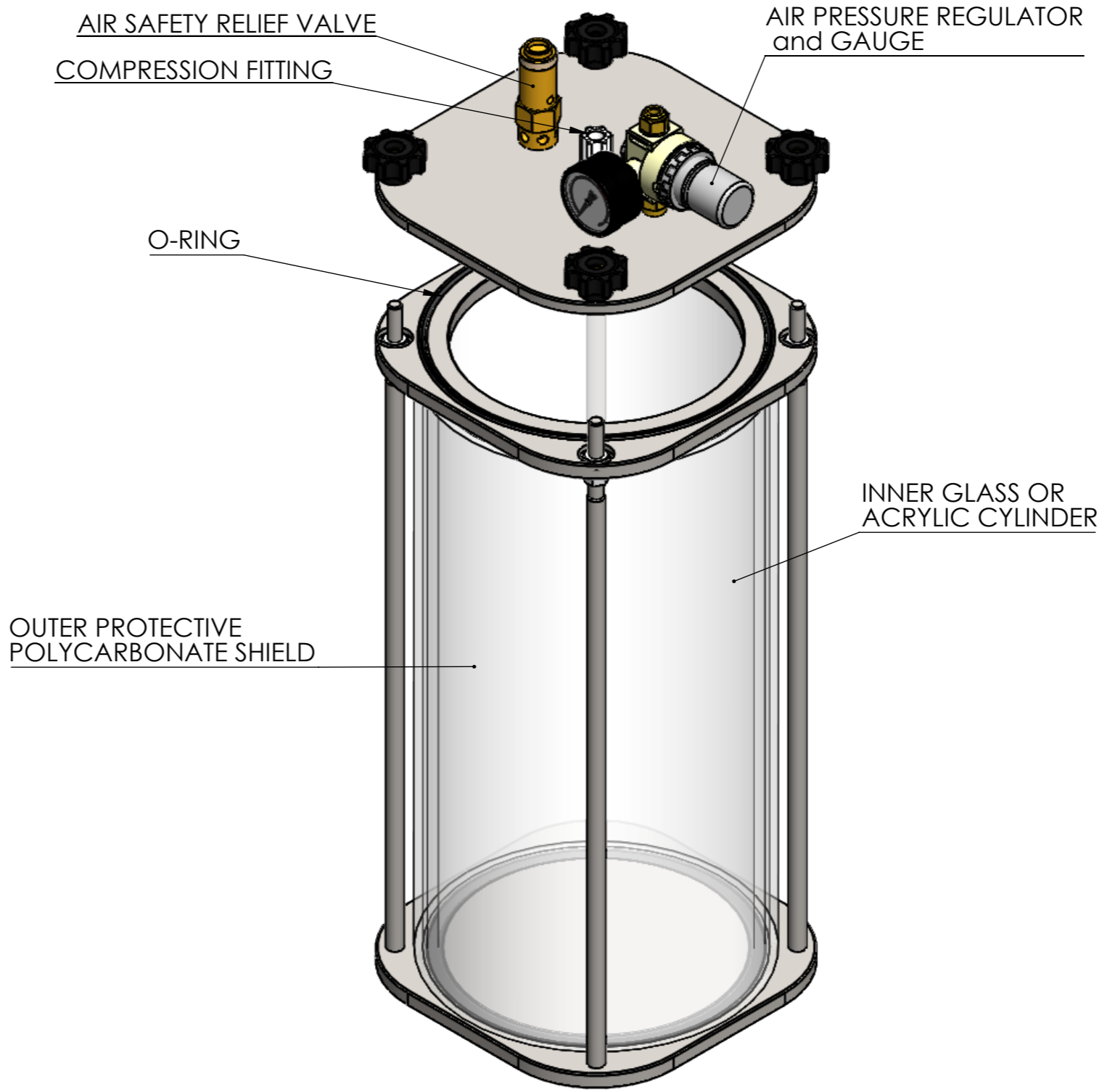


NOTE :

1. DIMENSIONS ARE IN mm
2. MATERIALS :
 tank : glass or acrylic with polycarbonate shield
 structure : stainless steel 303/304 (316 option)
 output fittings : polypropylene, compression 6mm
 oring : Viton
3. MMAXIMUM WORKING PRESSURE : 60 PSI (4 bar)
 MAXIMUM ALLOWED PRESSURE : 84 PSI (5.6 bar)
 WORKING TEMPERATURE : [+4°C ; +25°C]
4. CAPACITY WITHOUT LINER : 9.5 LITRE
 NSIDE DIMENSIONS : ϕ 175mm x 400mm DEEP
5. DIMENSIONS ARE FOR REFERENCE ONLY



REVISION	INITIALS	DATE	MODIFICATIONS
A	NR	05.01.24	INITIAL ISSUE
B	NR	16.02.24	IMPROVED ROD DESIGN
C	NR	28.03.24	ADJUSTMENTS FOR FAB AND ISO STANDARDS

This document must not be copied without our written permission, and the contents thereof must not be imparted to a third party nor be used for any unauthorised purpose. Contravention will be prosecuted.

GENERAL TOLERANCE
 Unless otherwise stated
 Linear: 0.0 +/- 0.5
 Angular: 0.0 +/- 2.5°
 Surface Roughness: Ra1.6

ISO STANDARD FOR
 Thread class
 external 6g
 internal 6H
 Geometric Tolerances

	NAME	DATE
DRAWN	NICOLAS REYNIER	05.01.2024
APPV'D	LORIS MEDART	

SRYEK MATERIAL: STAINLESS STEEL
 GLASS / ACRYLIC
 FINISH: BEAD BLAST or BRUSHED

DO NOT SCALE DRAWING

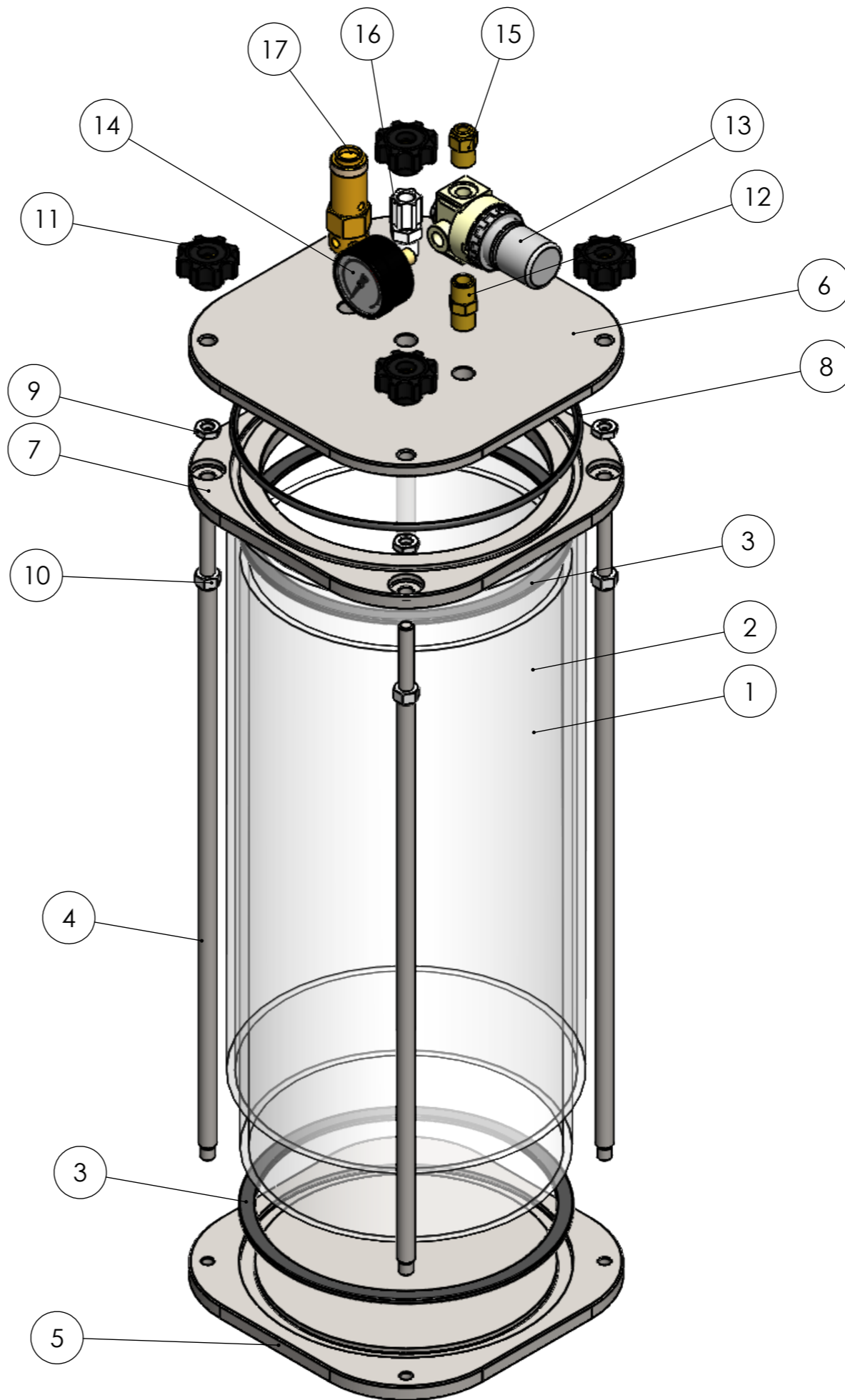
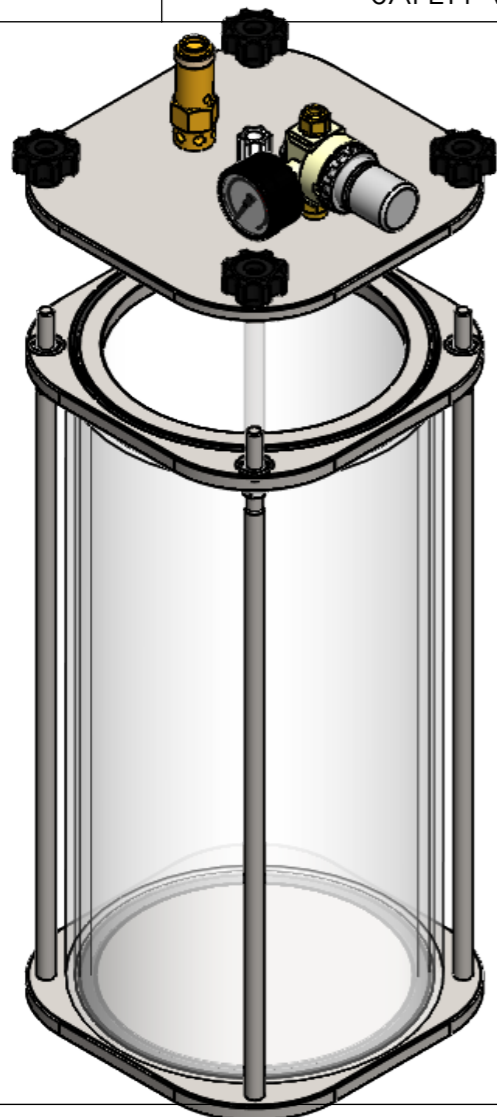
BREAK SHARP EDGES WITH CHAMFER 0.3x45° **WEIGHT: 4.3 kg**

TITLE:
10L CLEAR TANK WITH PROTECTIVE SHIELD

DWG NO. **1000CL-CTPS** Revision C **A3**

SCALE: 1:3 IF IN DOUBT ASK SHEET 1 OF 2

#	PART NUMBER	DESCRIPTION	QTY
1	1050PS	GLASS 7mm OR ACRYLIC 6mm CYLINDER 10L	1
2	1050-PC	PROTECTIVE POLYCARBONATE 5mm CYLINDER 10L	1
3	1052PS	VITON FLAT SEAL	2
4	1051PS	ROD	4
5	1053PS	BASE PLATE	1
6	1054	LID	1
7	1055PS	TOP PLATE	1
8	OR-4-188	O-RING 188mm ID x 4mm	1
9	NM8SS	NUT STAINLESS STEEL M8 THIN	4
10	NM8SSSTD	NUT STAINLESS STEEL M8	4
11	NM8PLSTAR	STAR GRIP M8	4
12	HNIPPLE0.25	NIPPLE NPT 1/4"	1
13	HREGULATORAIR60	AIR PRESSURE REGULATOR 0-60 PSI	1
14	AN-60-G	PRESSURE GAUGE 0-60 PSI	1
15	HADAPTER0.25-6	STRAIGHT ADAPTOR G1/4 x 6mm	1
16	HFIT0.25COMP6	COMPRESSION ADAPTER 1/4NPT 6mm	1
17	60-SV	SAFETY VALVE 0.25 60PSI	1



REVISION	INITIALS	DATE	MODIFICATIONS
A	NR	05.01.24	INITIAL ISSUE
B	NR	16.02.24	IMPROVED ROD DESIGN
C	NR	28.03.24	ADJUSTMENTS FOR FAB AND ISO STANDARDS

This document must not be copied without our written permission, and the contents thereof must not be imparted to a third party nor be used for any unauthorised purpose. Contravention will be prosecuted.			GENERAL TOLERANCE Unless otherwise stated Linear: 0.0 +/- 0.5 Angular: 0.0 +/- 2.5° Surface Roughness: Ra1.6
			ISO STANDARD FOR Thread class external 6g internal 6H Geometric Tolerances
	NAME	DATE	
DRAWN	NICOLAS REYNIER	05.01.2024	
APPV'D	LORIS MEDART		

	MATERIAL: STAINLESS STEEL GLASS / ACRYLIC FINISH: BEAD BLAST or BRUSHED
--	---

	DO NOT SCALE DRAWING
BREAK SHARP EDGES WITH CHAMFER 0.3x45°	WEIGHT: 4.3 kg

TITLE:	10L CLEAR TANK WITH PROTECTIVE SHIELD
--------	--

DWG NO.	1000CL-CTPS Revision C	A3
SCALE: 1:2	IF IN DOUBT ASK	SHEET 2 OF 2