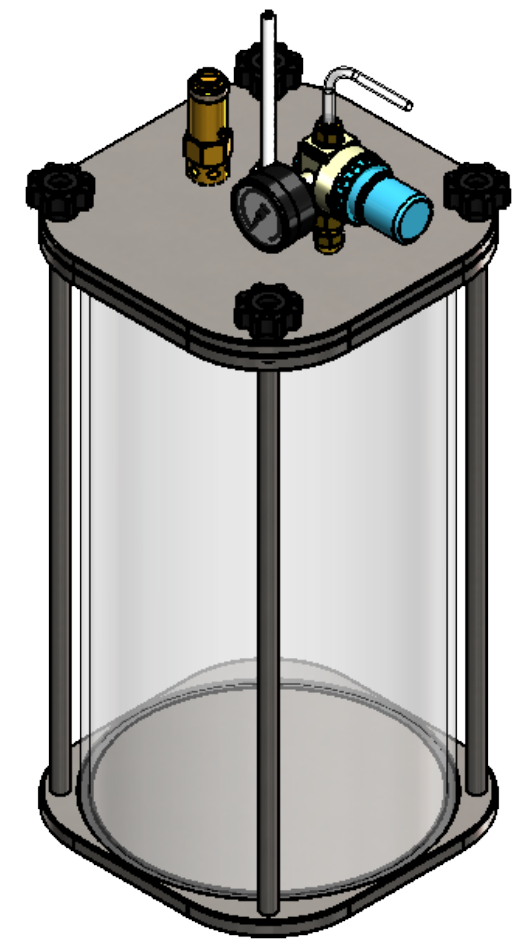
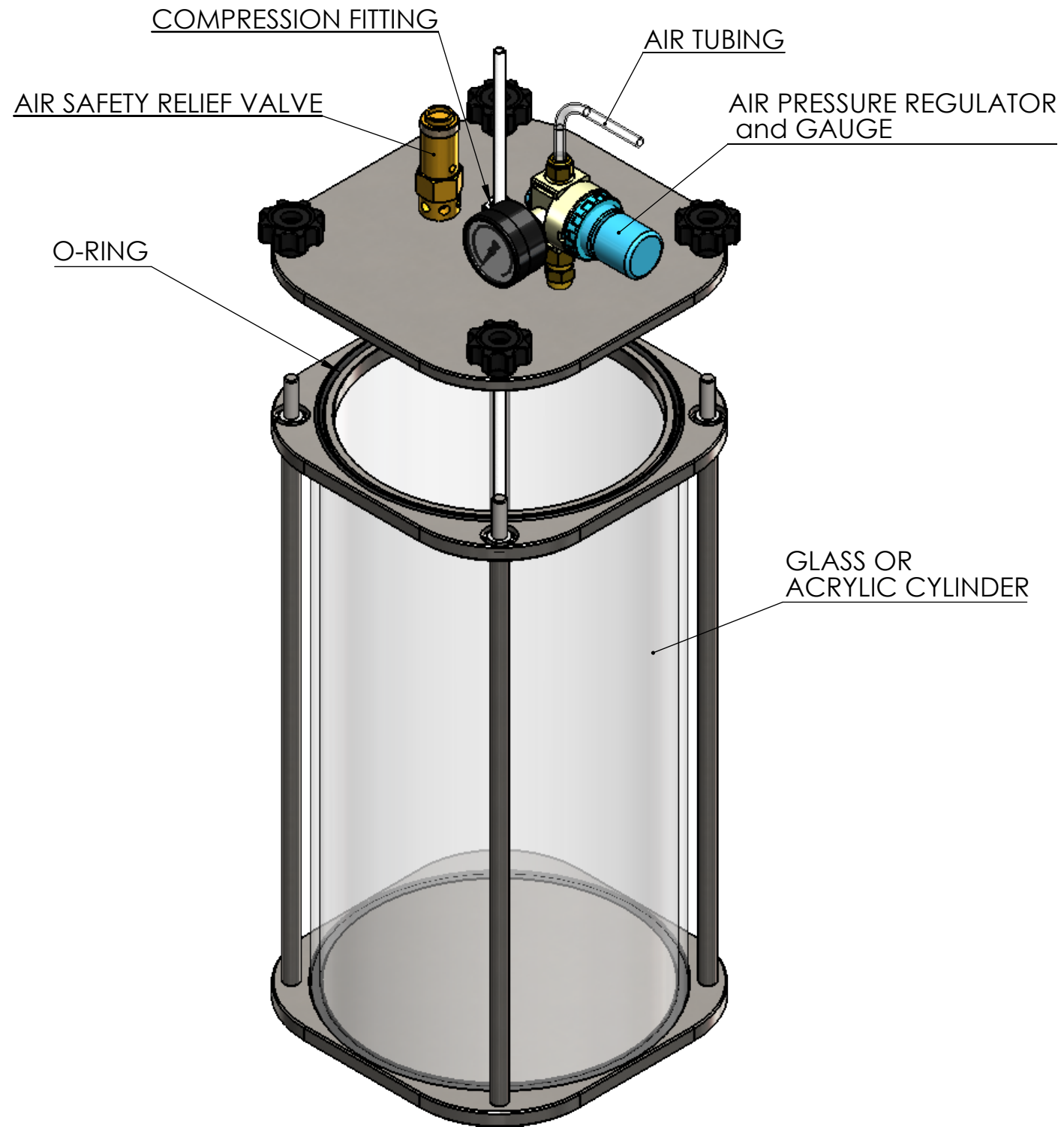


NOTE :

1. DIMENSIONS ARE IN mm
2. MATERIALS :
 tank : glass or acrylic
 structure : stainless steel 303/304 (316 option)
 output fittings : polypropylene oring : Viton
3. MAXIMUM PRESSURE : 60 PSI (4 bar)
4. CAPACITY WITHOUT LINER : 10 LITRE
5. INSIDE DIMENSIONS : \varnothing 190mm x 360mm DEEP
6. DIMENSIONS ARE FOR REFERENCE ONLY
7. ALSO SUPPLIED :



REVISION	INITIALS	DATE	MODIFICATIONS
A	NR	07.11.17	INITIAL ISSUE
B	NR	26.05.19	UPDATE OF VARIOUS MODELS TO FIT REALITY

This document must not be copied without our written permission, and the contents thereof must not be imparted to a third party nor be used for any unauthorised purpose. Contravention will be prosecuted.		GENERAL TOLERANCE Unless otherwise stated Linear: 0.0 +/- 0.25 Angular: 0.0 +/- 1° Surface Roughness: Ra1.6
		ISO STANDARD FOR Thread class external 6g internal 6H Geometric Tolerances
DRAWN	NICOLAS REYNIER	07.11.2017
APPV'D	SIMON KAYE	

SR-TEK MATERIAL: STAINLESS STEEL
 GLASS / ACRYLIC
 FINISH: BRUSHED

DO NOT SCALE DRAWING

BREAK SHARP EDGES WITH CHAMFER 0.3x45° **WEIGHT: 4.3 kg**

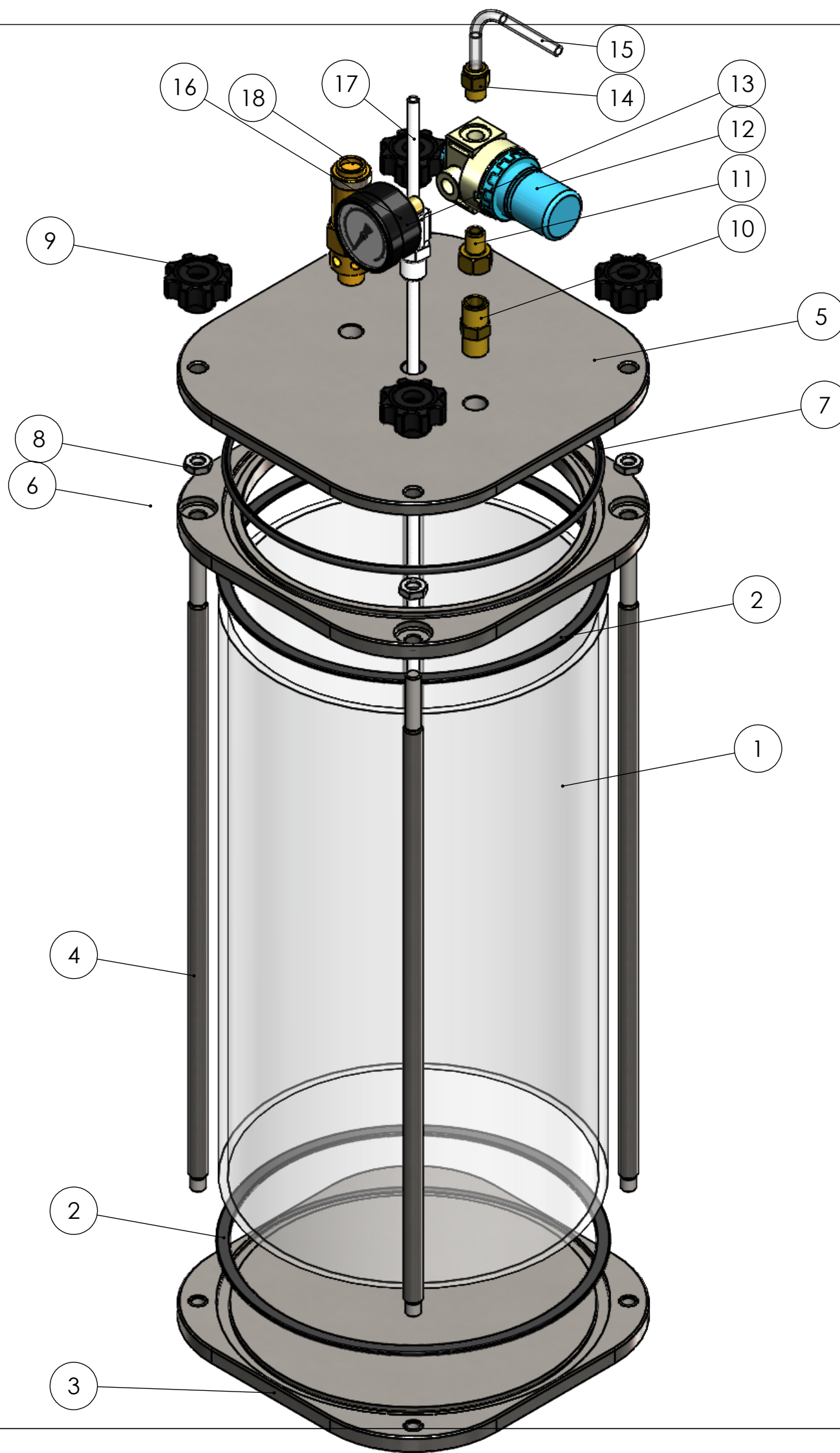
TITLE:

10L CLEAR TANK

DWG NO. **1000CL-CT** **Revision B** **A3**

SCALE: 1:3 IF IN DOUBT ASK SHEET 1 OF 2

#	PART NUMBER	DESCRIPTION	QTY
1	1050	GLASS OR ACRYLIC CYLINDER 10L	1
2	1052	VITON FLAT SEAL	2
3	1053	BASE PLATE	1
4	1051	ROD	4
5	1054	LID	1
6	1055	TOP PLATE	1
7	OR-4-188	ORING VITON 188x4	1
8	NM8SS	NUT STAINLESS STEEL M8	4
9	NM8PLSTAR	STAR GRIP NUT M8	4
10	HNIPPLE0.25	NIPPLE NPT 1/4"	1
11	HADAPTERF.25-M.125	1/8 MALE 1/4 FEMALE BSP NIPPLE ADAPTER	1
12	HREGULATORAIR60	AIR PRESSURE REGULATOR 0-60 PSI	1
13	AN-60-G	PRESSURE GAUGE 0-60 PSI	1
14	HADAPTER0.125-6	STRAIGHT ADAPTOR G1/8 x 6mm	1
15	6PE-CL	FLUID TUBING 6mm CLEAR	1
16	FIT-0.25-COMP-6	COMPRESSION ADAPTER 1/4NPT 6mm	1
17	6PE-WH-10L	CLEAR TUBING DIAM6	1
18	60-SV	SAFETY VALVE 0.25 60PSI	1



REVISION	INITIALS	DATE	MODIFICATIONS
A	NR	07.11.17	INITIAL ISSUE
B	NR	26.05.19	UPDATE OF VARIOUS MODELS TO FIT REALITY

This document must not be copied without our written permission, and the contents thereof must not be imparted to a third party nor be used for any unauthorised purpose. Contravention will be prosecuted.		GENERAL TOLERANCE Unless otherwise stated Linear: 0.0 +/- 0.25 Angular: 0.0 +/- 1° Surface Roughness: Ra1.6
ISO STANDARD FOR Thread class external 6g internal 6H Geometric Tolerances		NAME NICOLAS REYNIER DATE 07.11.2017
DRAWN APPV'D	SIMON KAYE	MATERIAL: STAINLESS STEEL GLASS / ACRYLIC FINISH: BRUSHED

SR-TEK		DO NOT SCALE DRAWING
BREAK SHARP EDGES WITH CHAMFER 0.3x45°		WEIGHT: 4.3 kg
TITLE: <h2 style="text-align: center;">10L CLEAR TANK</h2>		
DWG NO.	<h3 style="text-align: center;">1000CL-CT</h3> Revision B	A3
SCALE: 1:2	IF IN DOUBT ASK	SHEET 2 OF 2